



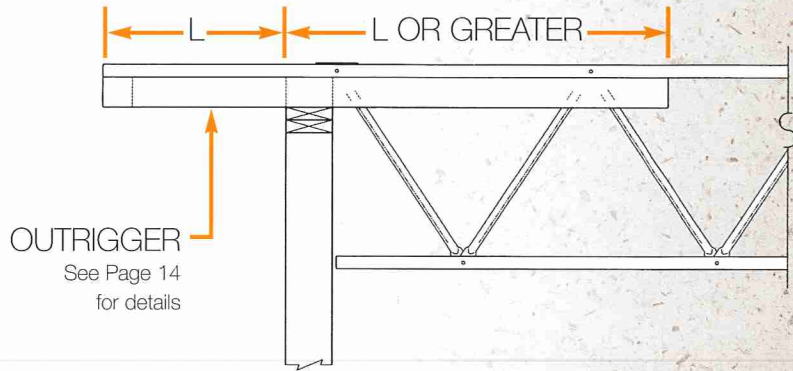
**DOUBLE 2X OUTRIGGER CAPACITY TABLE • ANGLE BEARING**

WEB JOIST TRUSS • DESIGN MANUAL

# Outrigger Capacity

The following criteria was used to develop the table below:

- 1). Used Douglas Fir-Larch No. 2  
E=1,6000.000 p.s.i.
- 2). Fb=875 p.s.i. (Base Value) Cr=1.15  
Cf=1.5 for 2x4, 1.3 for 2x6 and 1.2 for 2x8
- 3). Fv=95 p.s.i. Ch=2.00 for No Splits  
(L.L.=0.8xT.L.)
- 4). Deflection=2L/480 L.L. for floors  
(L.L.=0.8xT.L.)
- 5). Deflection=2L/240 T.L. for roofs



**WHERE:**

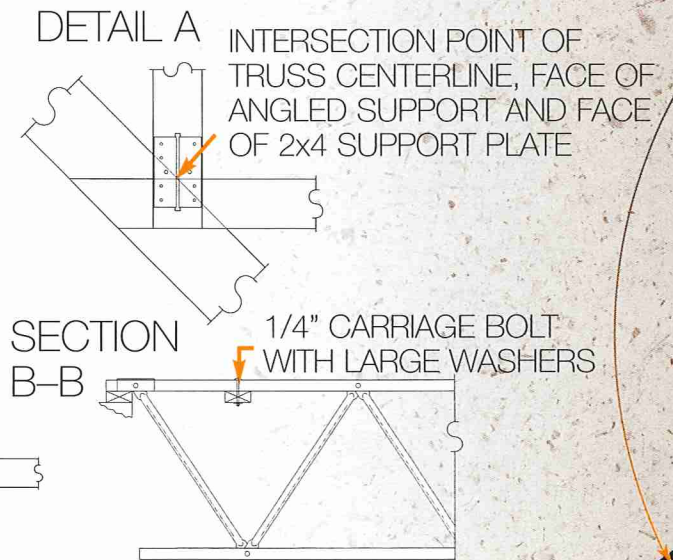
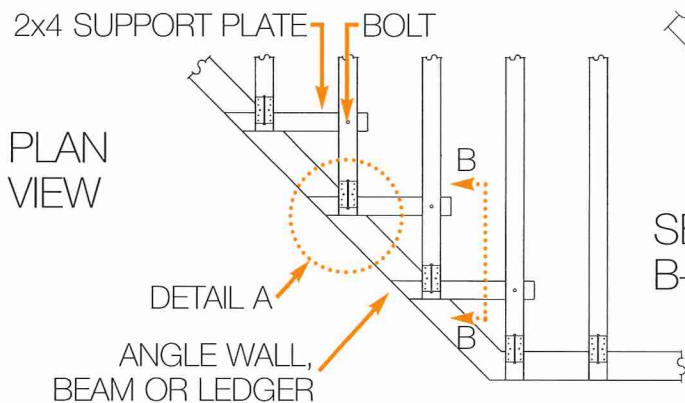
L.L.=Live Load T.L.=Total Load  
SGL=Single member used (over 24" o/c)  
REP=Repetitive member use (24" o/c and less)

**OUTRIGGER CAPACITY IN POUNDS PER LINEAR FOOT (SGL/REP)**

Outrigger Length (L)	2-2x4			2-2x6			2-2x8		
	100% FLOOR	115% ROOF	125% ROOF	100% FLOOR	115% ROOF	125% ROOF	100% FLOOR	115% ROOF	125% ROOF
2'-0"	334/385	385/442	418/481						
2'-6"	214/246	246/283	267/308						
3'-0"	148/171	171/196	186/214	318/366	366/421	398/457			
3'-6"	109/115	125/144	136/157	234/269	269/309	292/336	375/431	431/496	469/539
4'-0"	77/77	96/110	104/120	179/206	206/237	224/257	287/330	330/380	359/413
4'-6"	54/54	76/87	82/87	141/162	162/187	177/203	227/261	261/300	288/326
5'-0"	39/39	61/63	63/63	114/131	131/151	143/164	183/211	211/243	229/264
5'-6"	29/29	47/47	47/47	94/109	109/125	118/136	152/174	174/201	190/218
6'-0"				79/89	91/105	99/114	127/146	146/168	159/183
6'-6"				67/70	78/89	84/97	108/125	125/143	136/156
7'-0"				56/56	67/77	73/84	93/107	107/124	117/134
7'-6"				45/45	58/67	63/73	81/94	94/108	102/117
8'-0"				37/37	51/59	56/60	71/82	82/95	89/103

Other capacities may be obtained by use of other grades and/or species.

# Angle Bearing



**NOTE:** Elev. of angled wall, beam or ledger needs to be lowered 1 1/2" to allow for 2x4 support plate.