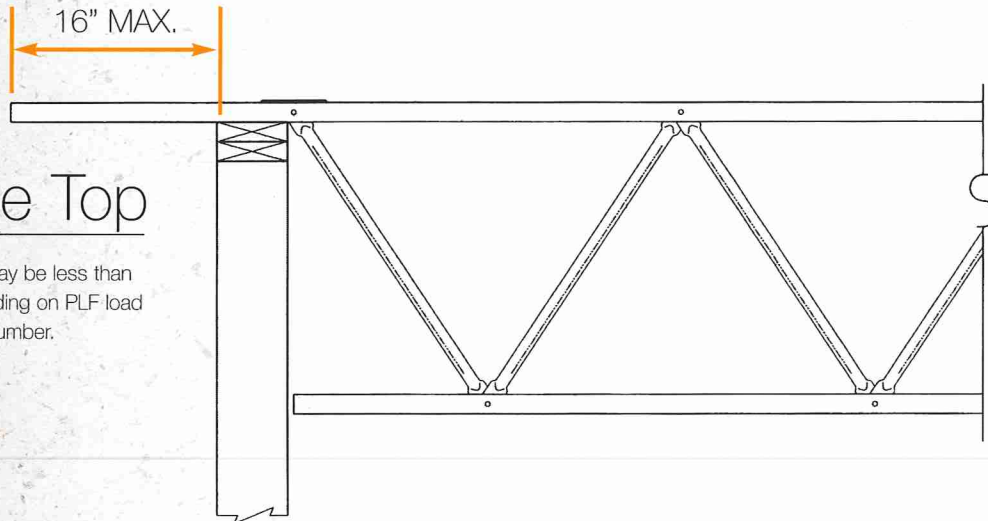




WEB JOIST
Inspired by Integrity

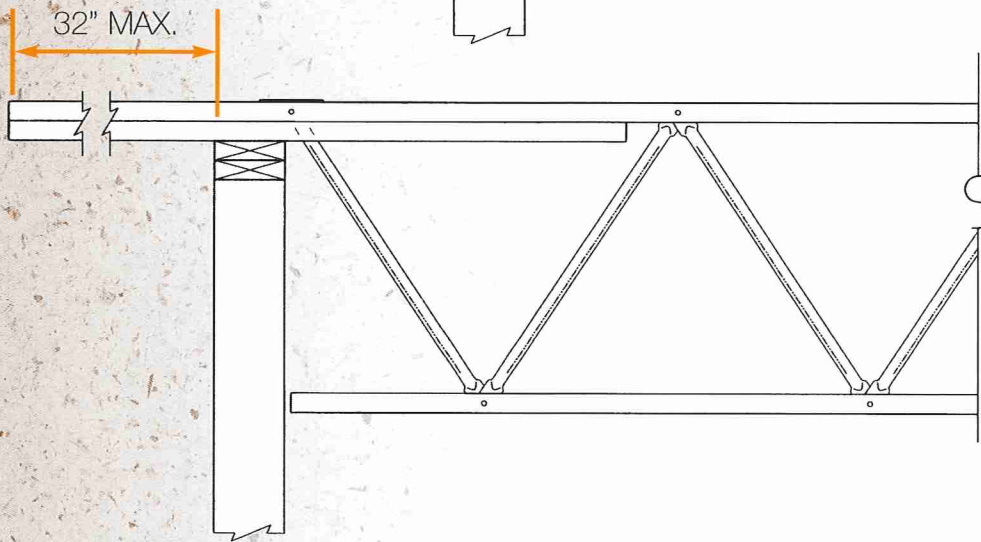
TOP CHORD EXTENSION

WEB JOIST TRUSS • DESIGN MANUAL



Single Top

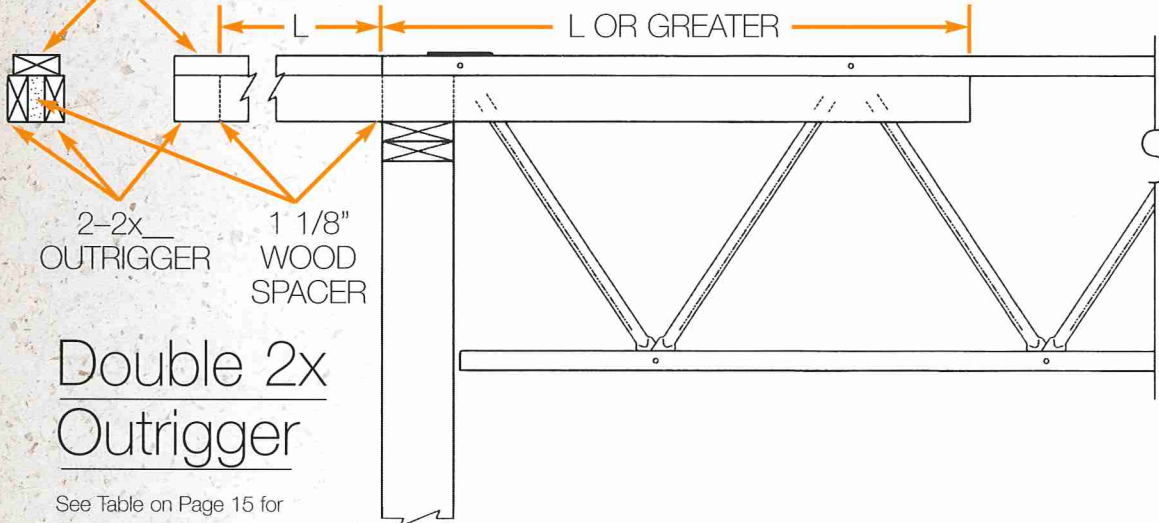
Max. length may be less than shown depending on PLF load and grade of lumber.



Double Top

Max. length may be less than shown depending on PLF load and grade of lumber.

2x4 FILLER BLOCK,
OR EXTENDED
TOP CHORD



Double 2x
Outrigger

See Table on Page 15 for capacity of outrigger