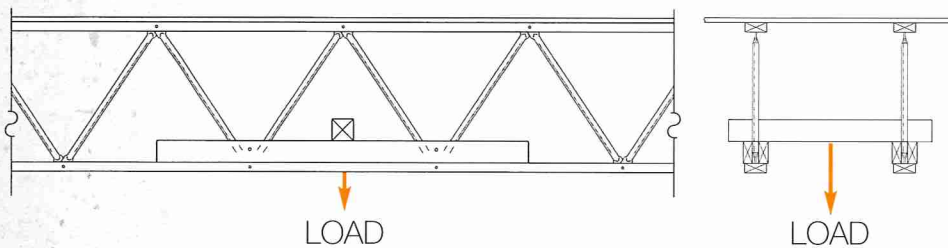
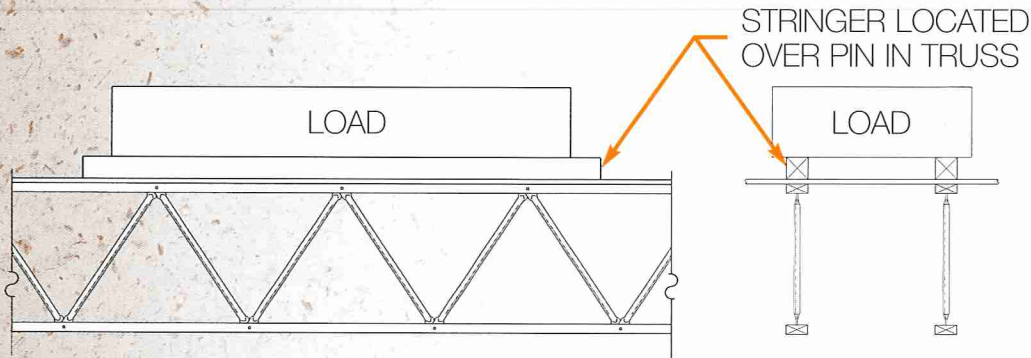
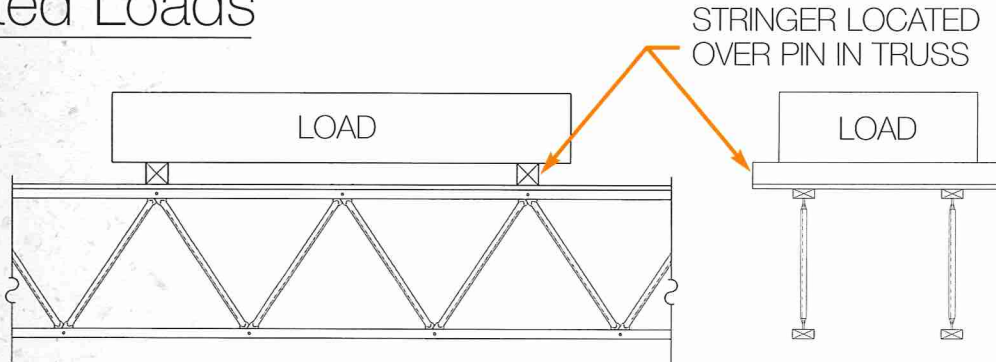


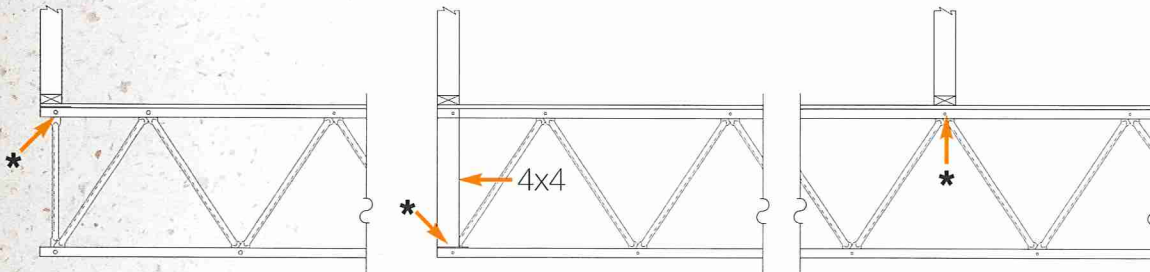


Concentrated Loads

NOTE: Concentrated loads must be considered in addition to uniform design loads. Additional trusses may be required for concentrated loads.



Load Bearing Wall



*Bearing clips required if wall load plus uniform load acting on pin of a truss is greater than 800 pounds for Version 1 truss and 1,200 pounds for Version 2 truss.