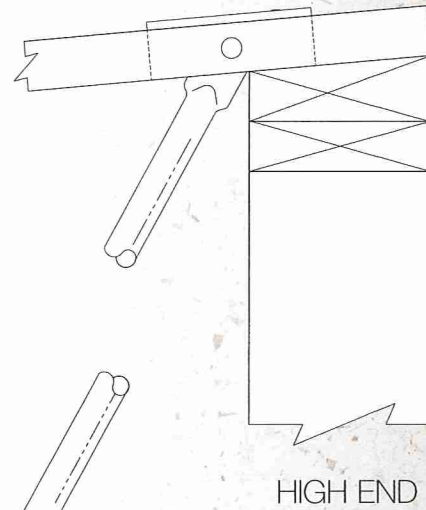
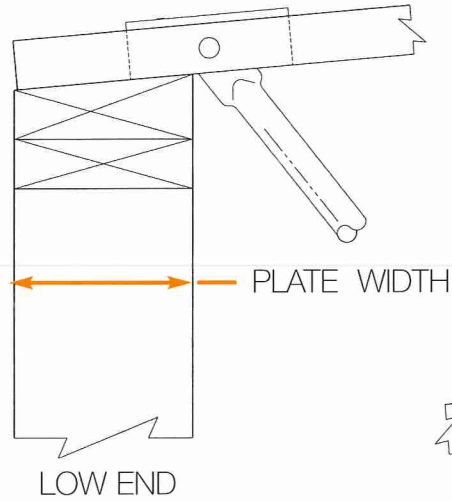




BEVELED PLATE REQUIREMENTS

Beveled Plate Requirements



LOW END AT TOP CHORD BEARING

Plate Width	Beveled plate required when slope is equal to or greater than
3 1/2"	3/8 to 12
5 1/2"	3/16 to 12
7 1/4"	1/8 to 12

HIGH END AT TOP CHORD BEARING

Beveled plate required when slope is equal to or greater than 3/8 to 12

NOTE: For double top chord bearings use bottom chord bearing table.

BOTTOM CHORD BEARING

Plate Width	Beveled plate required when slope is equal to or greater than
3 1/2"	3/8 to 12
5 1/2"	3/16 to 12
7 1/4"	1/32 to 12

