



**WEB JOIST**

Inspired by Integrity

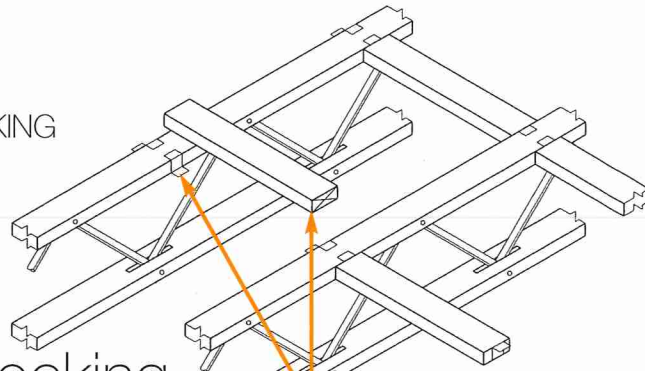
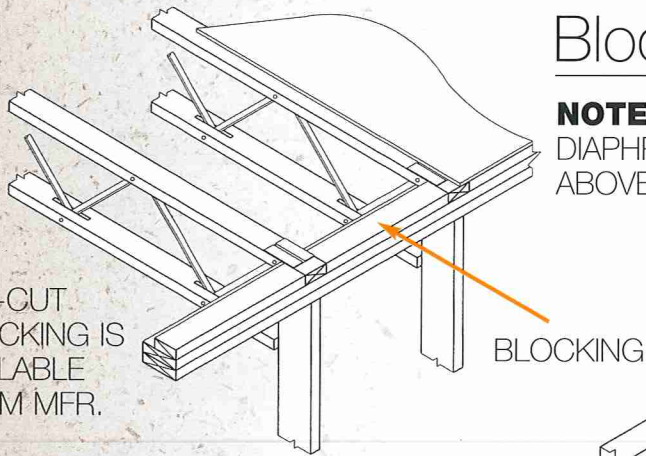
**BLOCKING/CROSS-BRACING/SHEAR PANEL BLOCKING DETAILS**

WEB JOIST TRUSS • DESIGN MANUAL

### Blocking at Bearing

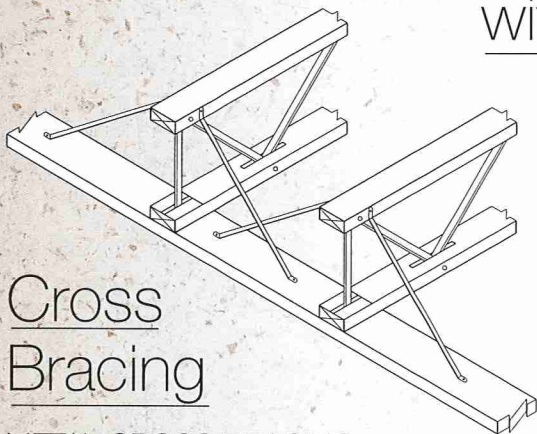
**NOTE:** BLOCKING IS REQUIRED FOR DIAPHRAGM ACTION AND TO CARRY WALL ABOVE WHEN PRESENT.

PRE-CUT BLOCKING IS AVAILABLE FROM MFR.



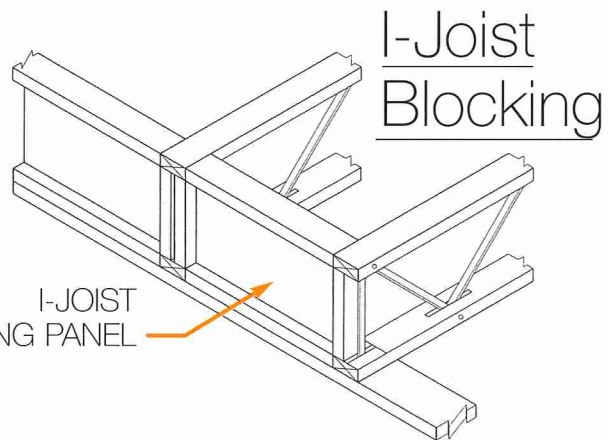
PRECUT BLOCKING WITH Z CLIPS ATTACHED IS AVAILABLE FROM THE MFR.

### Edge Blocking with Z-Clips

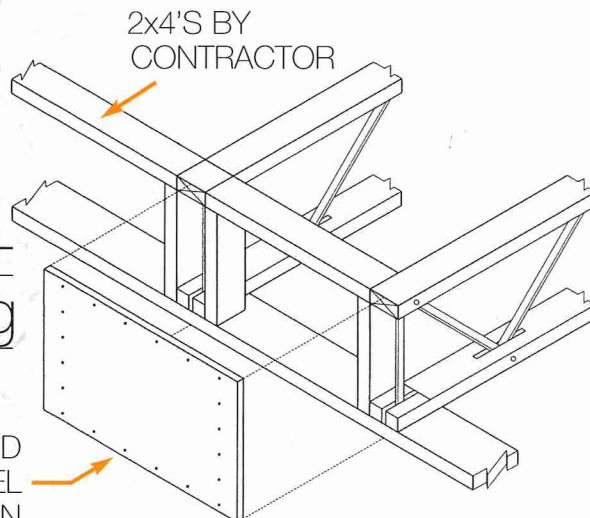


### Cross Bracing

METAL CROSS BRACING IS AVAILABLE FROM MFR. (MAX. LATERAL LOAD = 500 LB. PER TRUSS)



### I-Joist Blocking



### Shear-Blocking

PLYWOOD SHEATHING PANEL OR RIBBON