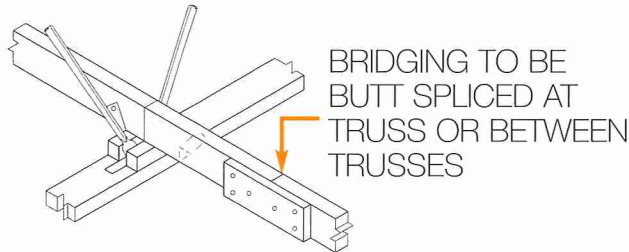




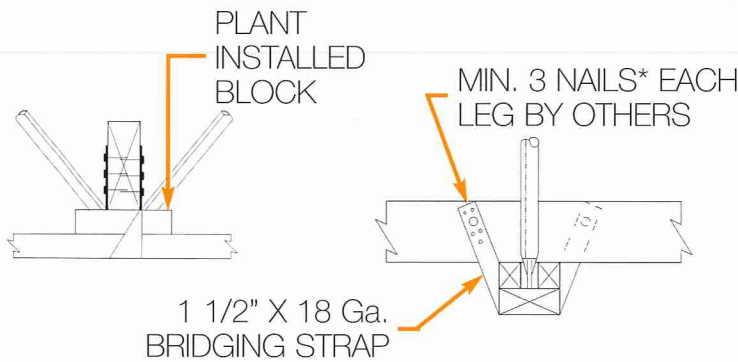
BRIDGING DETAILS

Load Sharing Bridging Detail (floor & roof)



SIZE OF BRIDGING USING NO. 2 OR CONSTRUCTION GRADE

Truss Spacing	Size of Member
12-16 inches	2 x 4 ¹
18-32 inches	2 x 6
34-48 inches	2 x 8

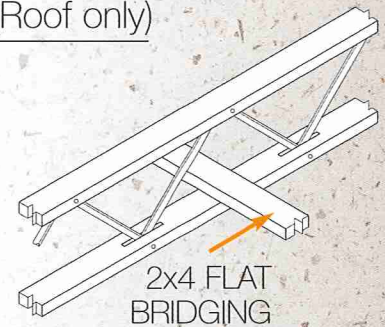
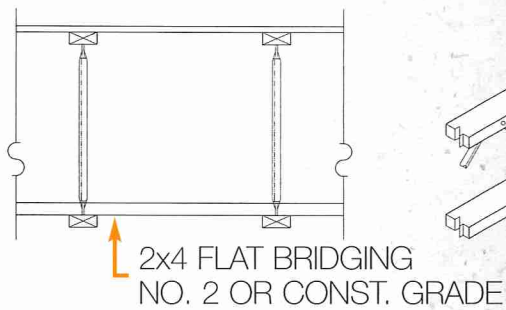
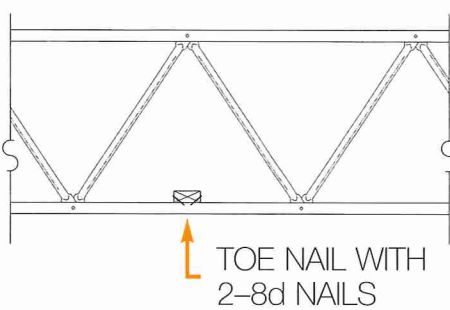


SIZE OF BRIDGING USING STRESS GRADED LUMBER

Truss Spacing	Size of Member
12-24 inches	2 x 4 (Sel. Str. or better) ¹
25-48 inches	2 x 6 (No. 1 or better)

1. For floors use minimum 2 x 6 bridging.
 2. For Intermediate nailer use minimum 2 x 6 bridging at 8 foot on center.
- *8d x 1.50" (0.131" Dia. Common) or 10d x 1.50" (0.128" Dia. Box)

Non-Load Sharing Bridging Detail (Roof only)



Number of Bridging Rows

FLOOR TRUSS BRIDGING (Load Sharing Bridging)

CLEAR SPAN (ft.)	11-<22	22-<33	33-<44	44+
NO. OF ROWS	1	2	3	4

ROOF TRUSS BRIDGING*

CLEAR SPAN (ft.)	14-<28	28-<42	42-<56	56+
NO. OF ROWS	1	2	3	4

*Bridging required in cantilevers when the length of cantilever exceeds 3 times the depth at bearing.

NOTE:

Bridging shall be fastened in place to each Web Joist truss as it is installed and the individual lines of bridging shall be continuous and tied to laterally braced walls prior to placing any load on the Web Joist trusses.