



TYPICAL BOTTOM CHORD BEARING DETAILS

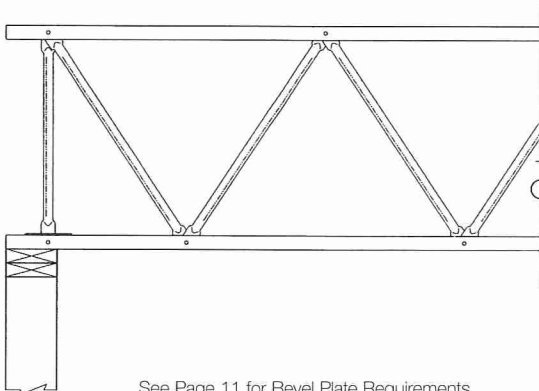
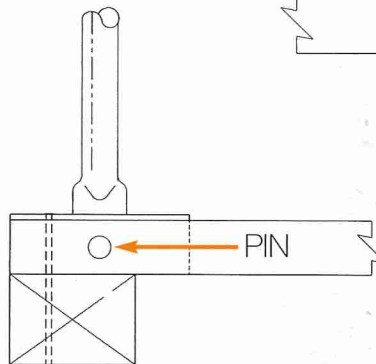
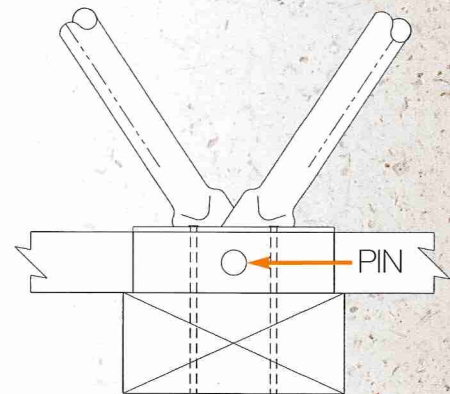
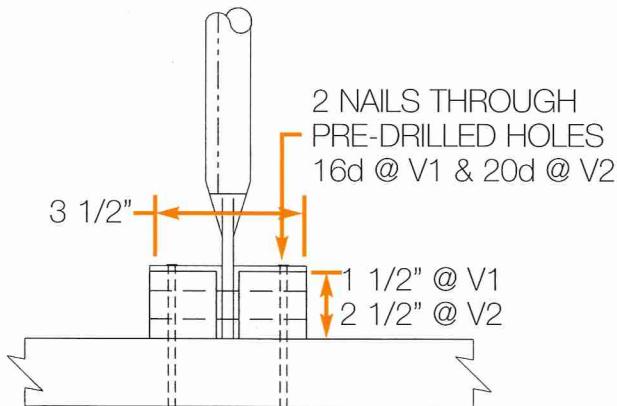
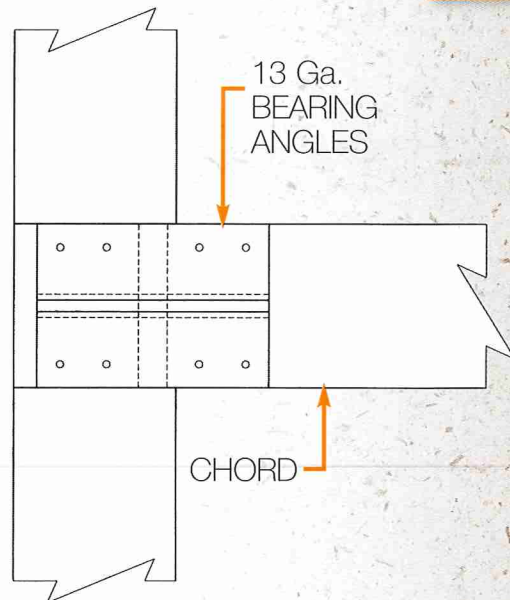
WEB JOIST TRUSS • DESIGN MANUAL

Typical Bottom Chord Bearing Details

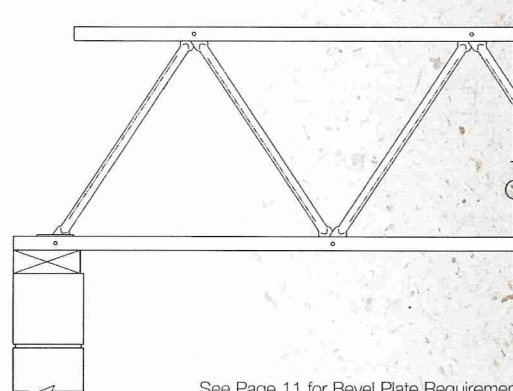
VERSION 1 TRUSS = V1

VERSION 2 TRUSS = V2

NOTE: Cross-bracing or shear panels are required for lateral stability of all bottom bearing trusses. See page 10 for details. Brace individual trusses as they are erected.



See Page 11 for Bevel Plate Requirements.
See Page 16 for Minimum Dimensions.



See Page 11 for Bevel Plate Requirements.
See Page 16 for Minimum Dimensions.