



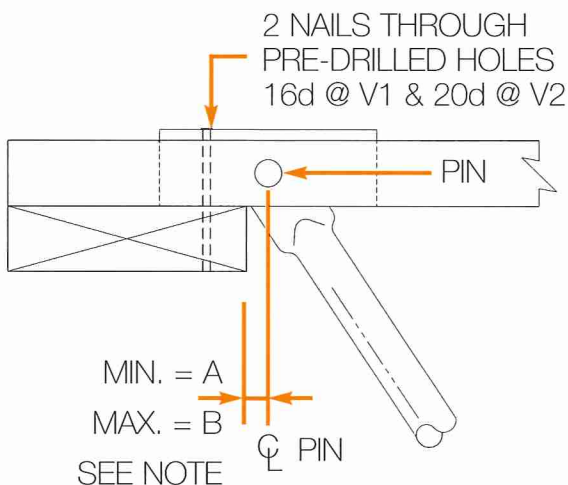
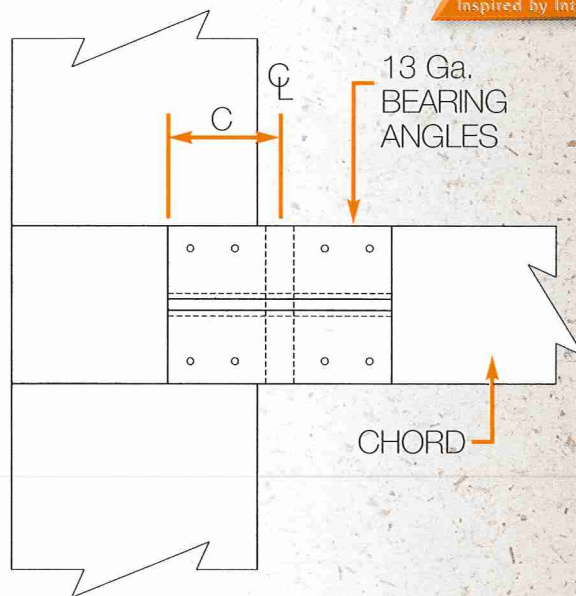
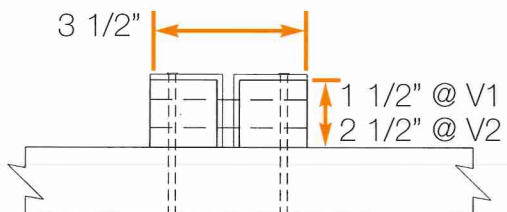
**WEB JOIST**

Inspired by Integrity

**TYPICAL TOP CHORD BEARING DETAILS**

WEB JOIST TRUSS • DESIGN MANUAL

# Typical Top Chord Bearing Details



**NOTE:** A red line is applied to the bottom side of chord at maximum distance bearing pin can be off bearing surface (A to B determined by reaction). This red line must not be visible when trusses are installed.

**DIMENSIONS**

TRUSS	A	B	C
VERSION 1 TRUSS = V1	1/2"	1 1/4"	2 1/2"
VERSION 2 TRUSS = V2	3/4"	1 1/2"	3 1/2"

