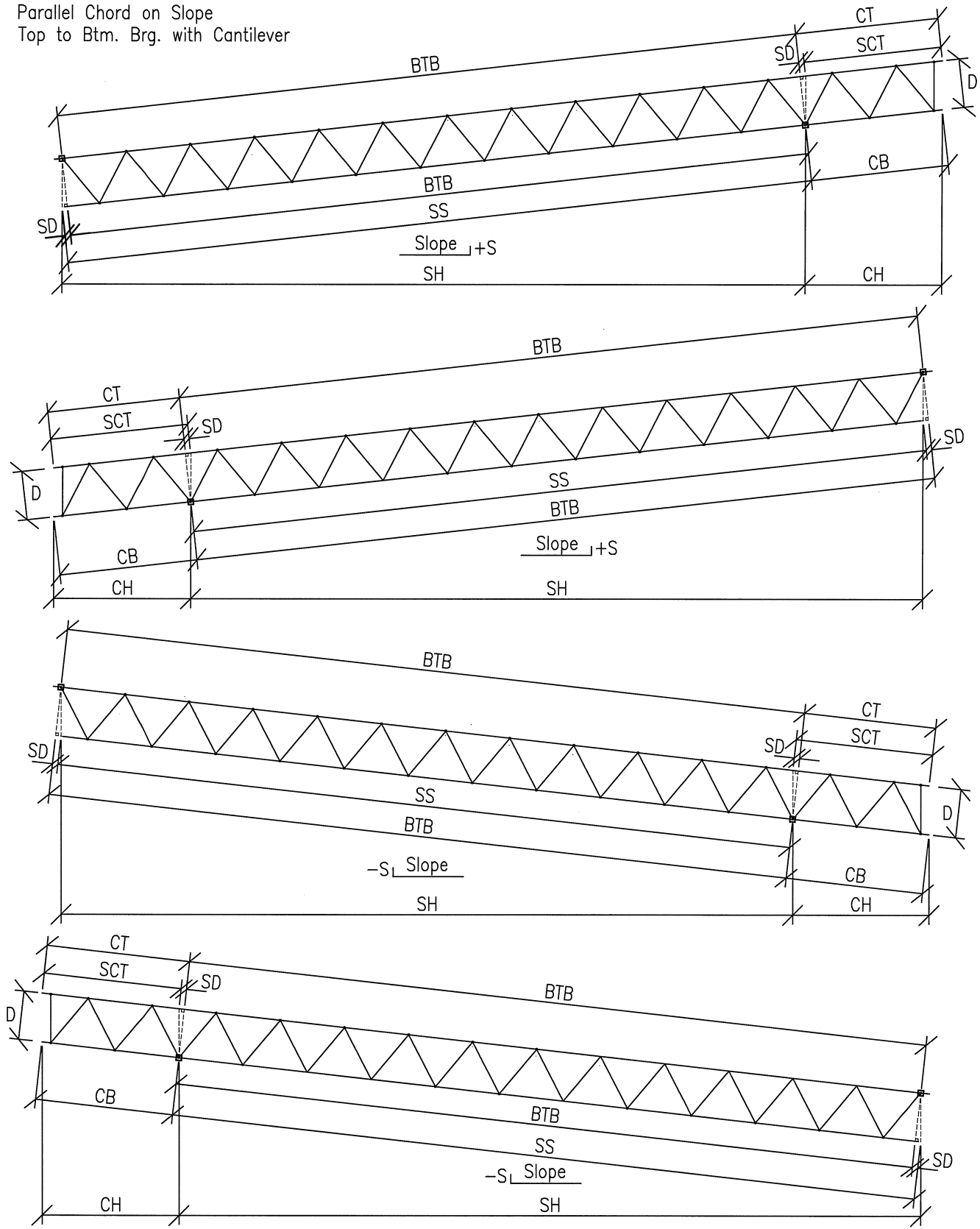


Parallel Chord on Slope
 Top to Btm. Brg. with Cantilever



TERMS:

- S = Slope (In./Ft.)
- SA = Slope Angle (Degrees) = $(S/12") \text{ Inv Tan}$
- SH = Span Horiz. (In.) or Horiz. Brg. Pin to Brg. Pin
- CH = Cantilever Horiz. (In.) (Top may be different than Btm.)
- SD = Slope Depth Correction (In.) = $D \times \text{Tan}(SA)$
- D = Depth Pin to Pin (In.)
- SS = Slope Span (In.) = $SH / \text{Cos}(SA)$
- BTB = Brg. to Brg. Along Bottom Chord (In.) = $SS \pm SD$ (See Details)
- CB = Cantilever Btm. (In.) = $CH \text{ of Btm.} / \text{Cos}(SA)$
- CH = Cantilever Horiz. (In.) (Top may be different than Btm.)
- SD = Slope Depth Correction (In.) = $D \times \text{Tan}(SA)$
- CT = Cantilever Top (In.) = $SCT \pm SD$ (See Details)