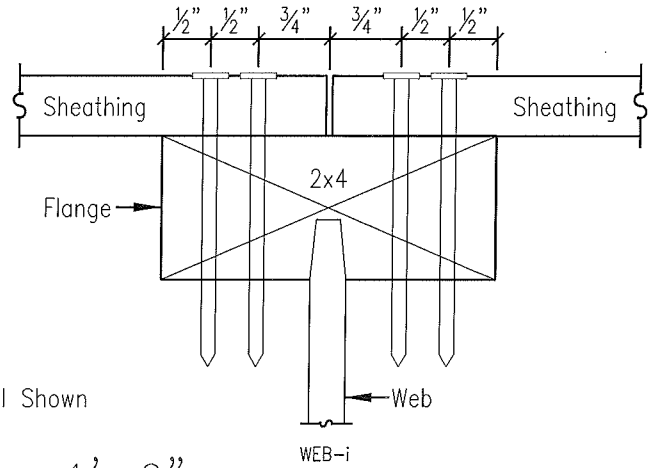
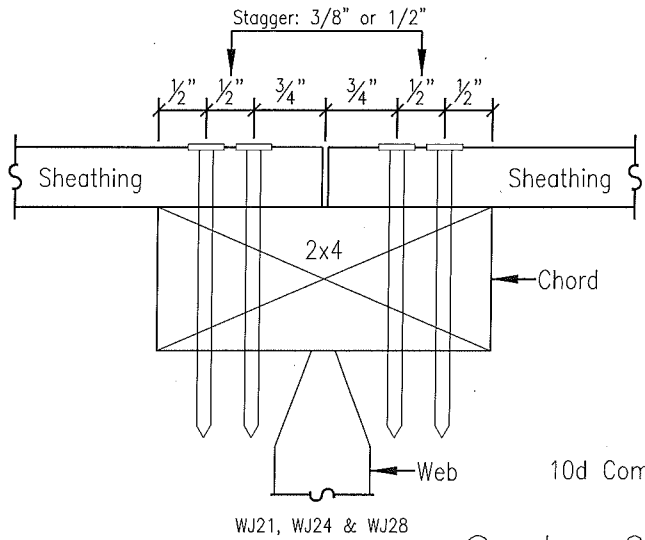
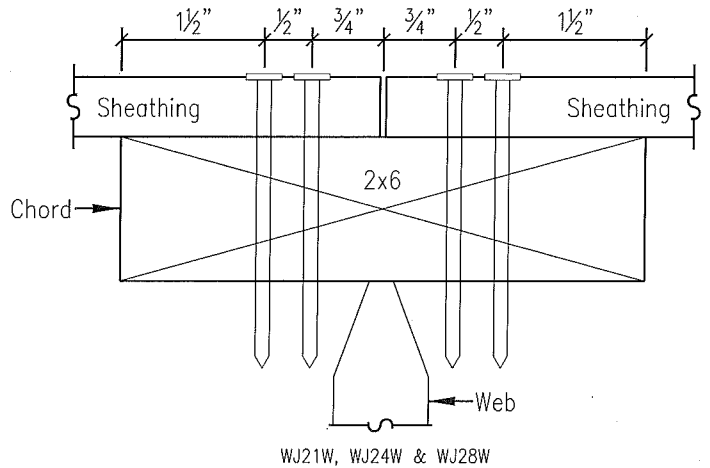
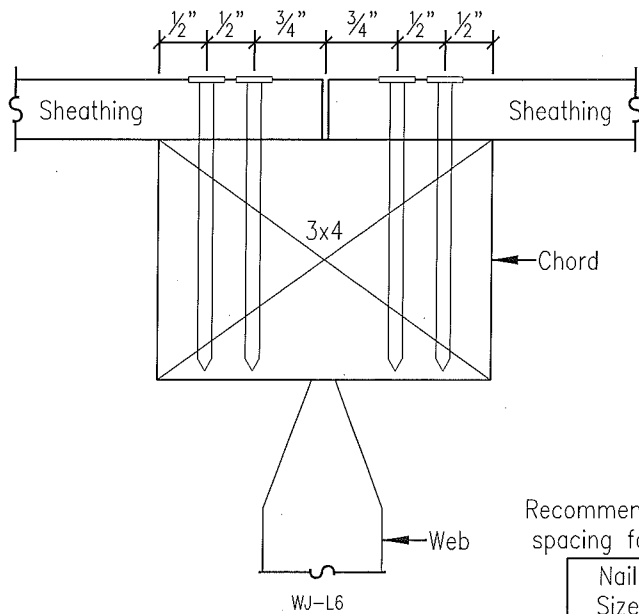


2 Rows of Nailing w/Offset & Stagger



10d Com Nail Shown

Scale: 6" = 1'-0"



Recommended minimum on-center spacing for nails in a single row.

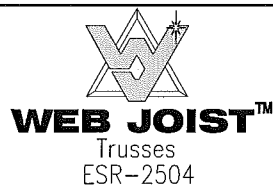
Nail Size	2x4	3x4
8d Box	3.75"	3.00"
8d Com	4.50"	3.50"
10d Box	4.25"	3.50"
10d Com	5.00"	4.00"
12d Box	4.25"	3.50"
12d Com	5.00"	4.00"
16d Box	4.50"	3.75"
16d Com	5.50"	4.50"

2x4 = WJ21, WJ24, WJ28 and WEB-i

2x6 = WJ21W, WJ24W and WJ28W

3x4 = WJ-L6

Web Joist NW Corp.
118 Borovec Road
Chehalis, WA 98532
(360) 748-1173 Phone
(360) 748-6151 Fax



WEB-i®
Joists
ESR-2974

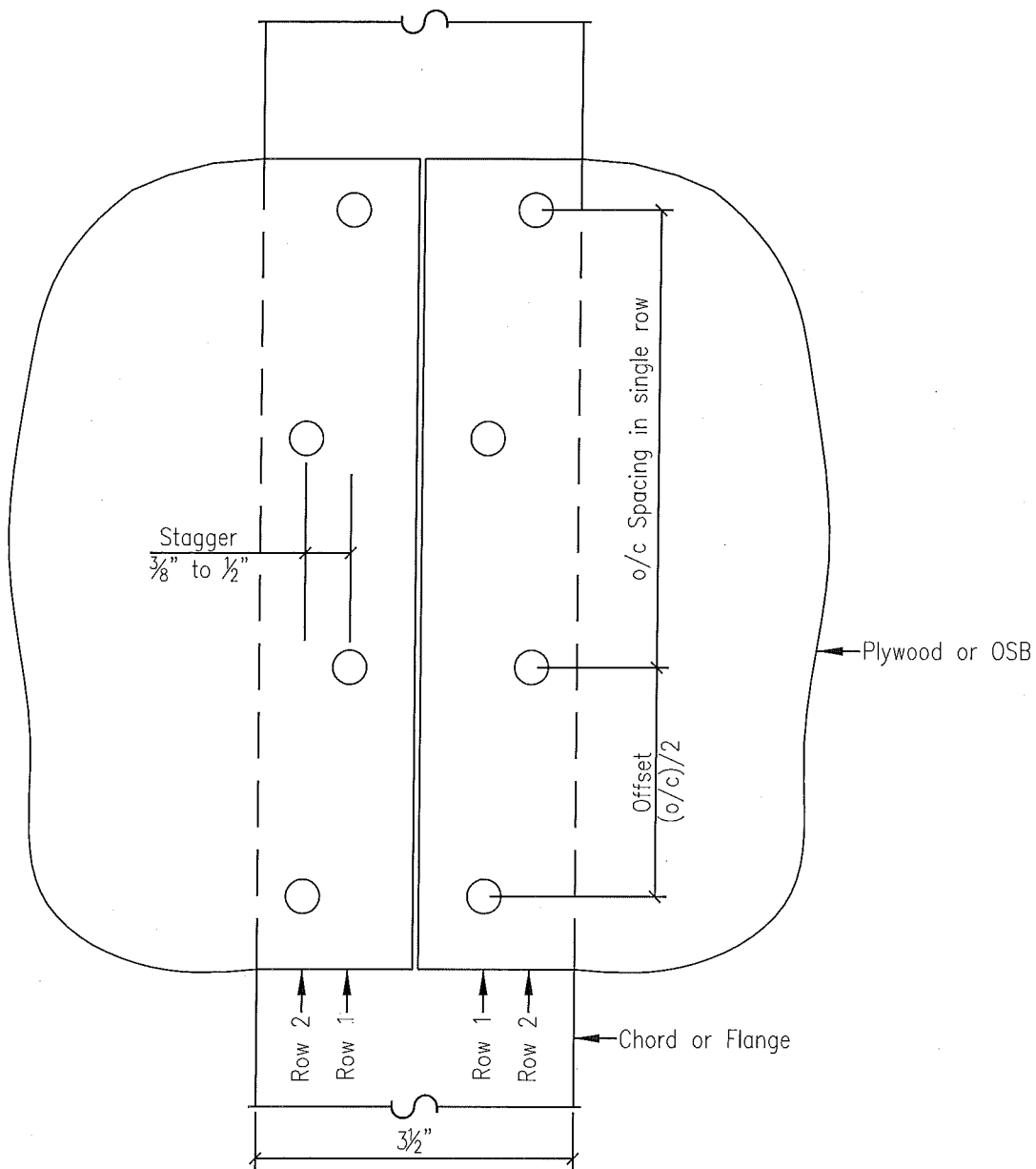
Job No.:
Name: Nailing of Truss or I-Joist

BEH

02-15-11

Sht. 1 of 4

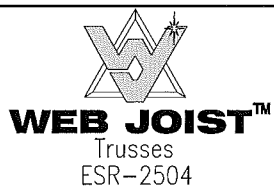
Top View



Scale: 6" = 1'-0"

Example: (2x4 Chord)
 10d Com w/Min. o/c = 5.00"
 Offset = (o/c)/2 = 2.50"
 Effective o/c Spacing = 2.50"

Web Joist NW Corp.
 118 Bovec Road
 Chehalis, WA 98532
 (360) 748-1173 Phone
 (360) 748-6151 Fax

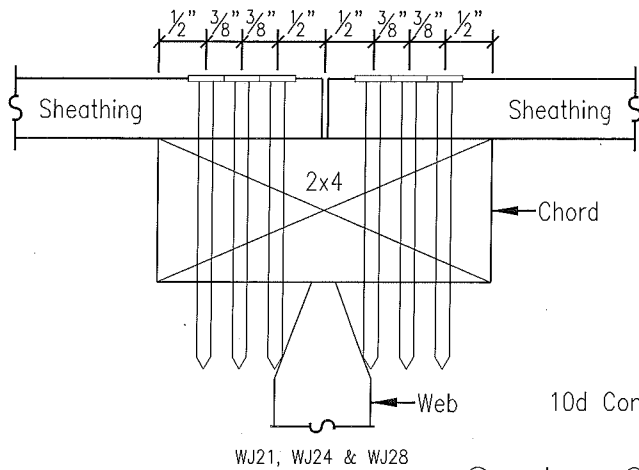


WEB-i[®]
 Joists
 ESR-2974

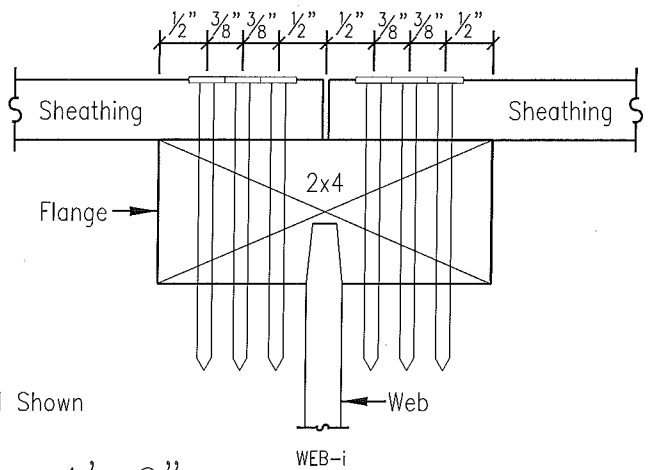
Job No.:
 Name: Nailing of Truss or I-Joist

BEH 02-15-11 Sht. 2 of 4

3 Rows of Nailing w/Offset & Stagger



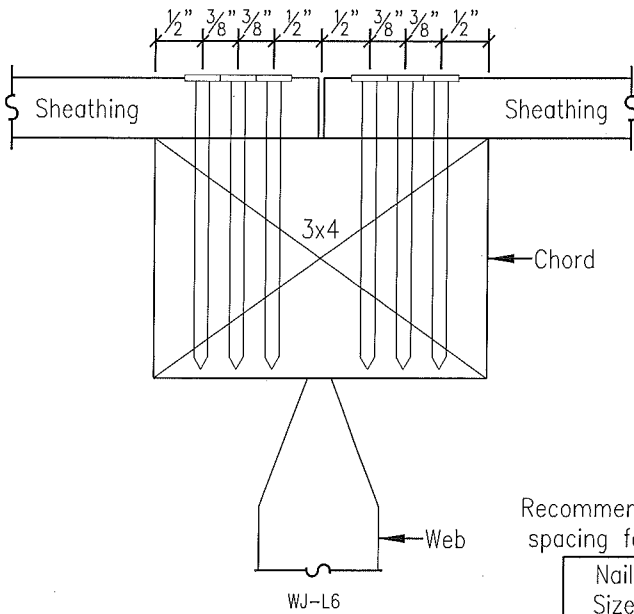
WJ21, WJ24 & WJ28



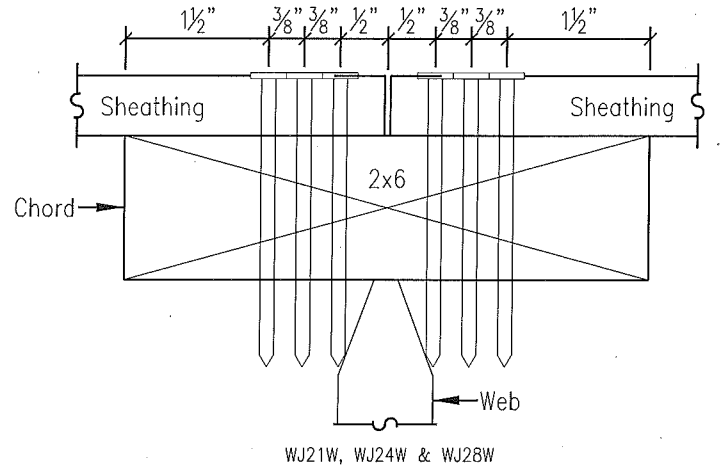
WEB-i

10d Com Nail Shown

Scale: 6" = 1'-0"



WJ-L6



WJ21W, WJ24W & WJ28W

Recommended minimum on-center spacing for nails in a single row.

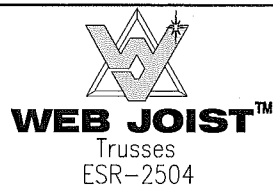
Nail Size	2x4	3x4
8d Box	3.75"	3.00"
8d Com	4.50"	3.50"
10d Box	4.25"	3.50"
10d Com	5.00"	4.00"
12d Box	4.25"	3.50"
12d Com	5.00"	4.00"
16d Box	4.50"	3.75"
16d Com	5.50"	4.50"

2x4 = WJ21, WJ24, WJ28 and WEB-i

2x6 = WJ21W, WJ24W and WJ28W

3x4 = WJ-L6

Web Joist NW Corp.
118 Borevec Road
Chehalis, WA 98532
(360) 748-1173 Phone
(360) 748-6151 Fax

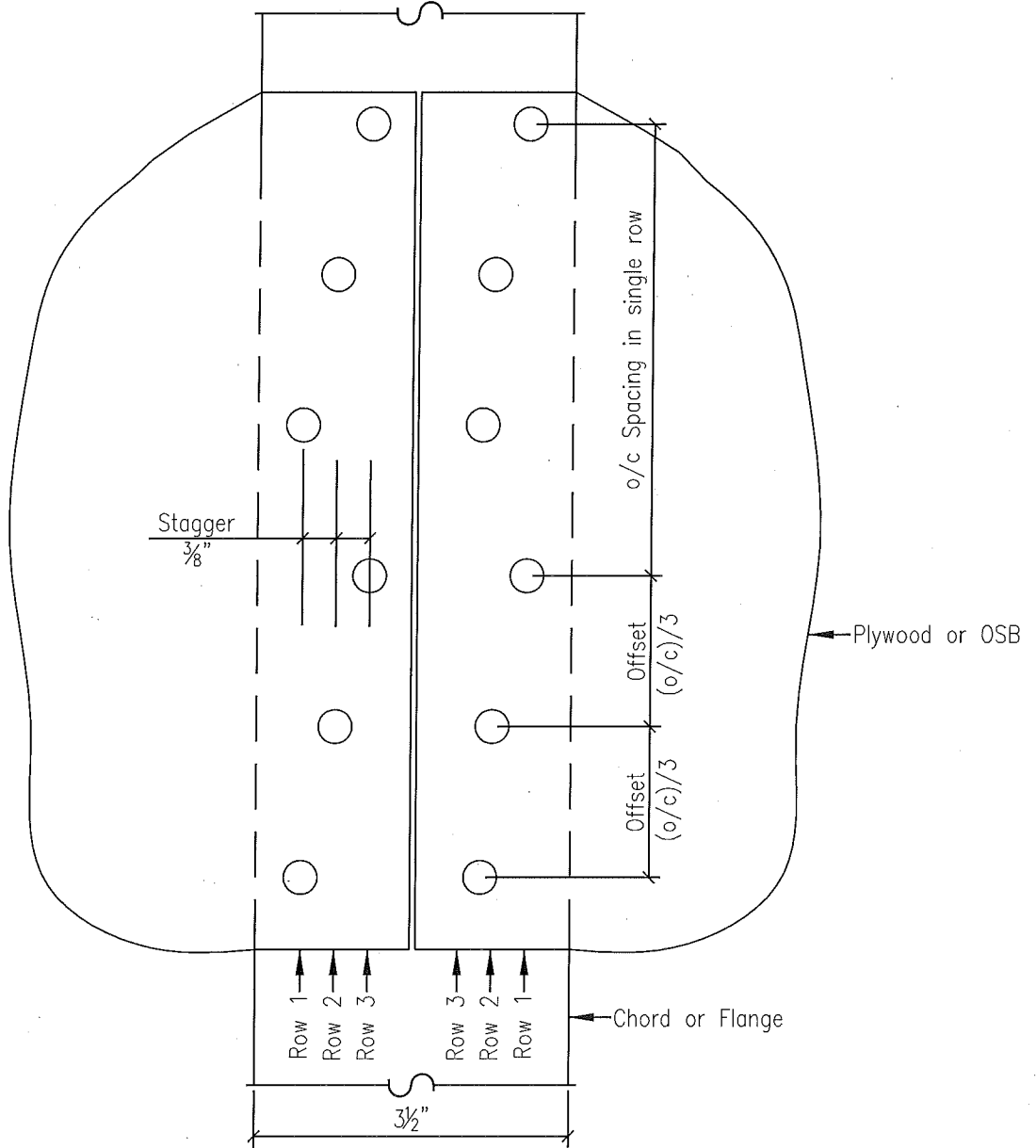


WEB-i[®]
Joists
ESR-2974

Job No.:
Name: Nailing of Truss or I-Joist

BEH 02-15-11 Sht. 3 of 4

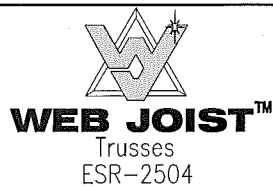
Top View



Scale: 6" = 1'-0"

Example: (2x4 Chord)
 10d Com w/Min. o/c = 5.00"
 Offset = $(o/c)/3 = 1\frac{2}{3}$ "
 Effective o/c Spacing = $1\frac{2}{3}$ "

Web Joist NW Corp.
 118 Borovec Road
 Chehalis, WA 98532
 (360) 748-1173 Phone
 (360) 748-6151 Fax



WEB-i[®]
 Joists
 ESR-2974

Job No.:
 Name: Nailing of Truss or I-Joist

BEH 02-15-11 Sht. 4 of 4