

Web Joist Northwest Corp.
118 Borovec Road
Chehalis, WA 98532
Tel: 360-748-1173
Fax: 360-748-6151
E-Mail: Bruce@Webjoist.com

WEB-i[®]
Joists

Longspan Handling and Installation

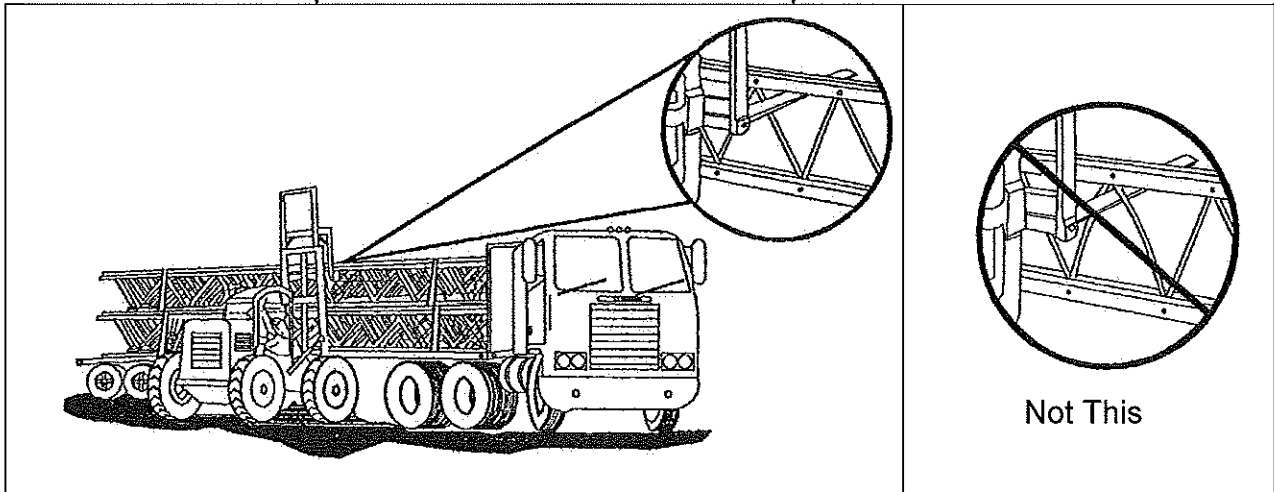
It is the building contractor's responsibility to unload the Web Joist trusses from the truck and for all handling thereafter. The Web Joist truss guarantee only applies as long as the product is not damaged or altered in any way, is installed in a workmanlike manner and according to Web Joist suggested installation information below.

Personal injury or death may result from failure to read and follow this information.

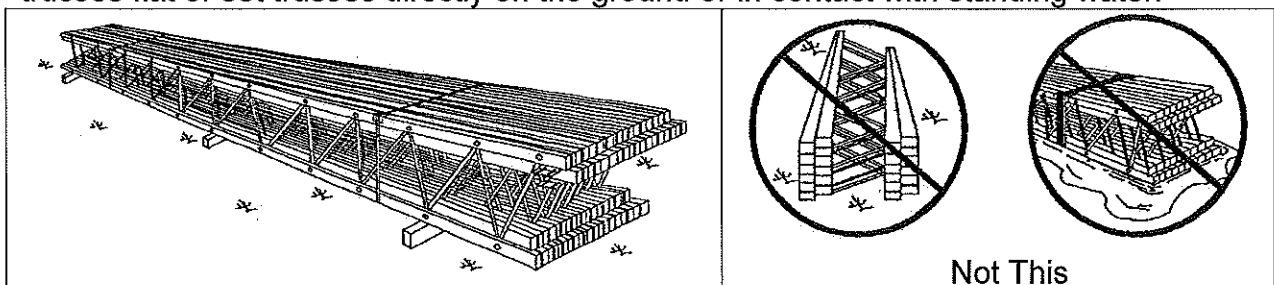
Because of width to length ratio, long trusses can be unstable and care must be used when handling trusses to avoid any damage to workers or trusses.

Trusses will be delivered to the jobsite in bundles of nineteen or fewer, banded together for handling and shipment. To avoid damage they should be left in these bundles until they are ready to be installed in the structure.

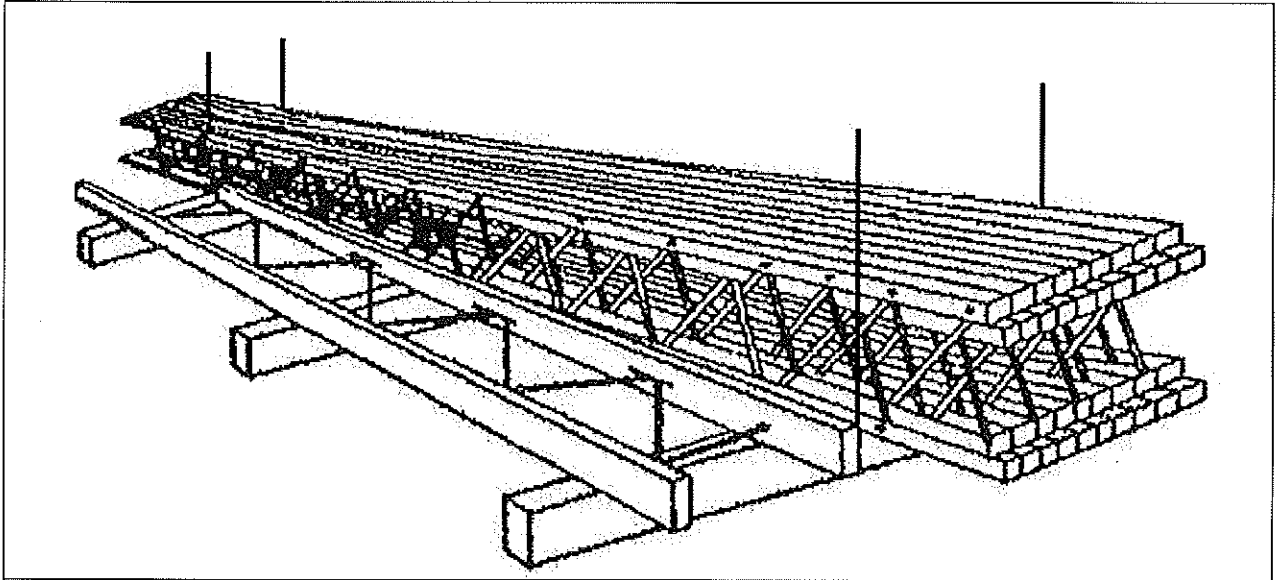
When removing bundles from a truck, suggest using two forklifts at $\frac{1}{4}$ points. The forks are to be inserted at panels and not in V of webs. Keep forks level at all times.



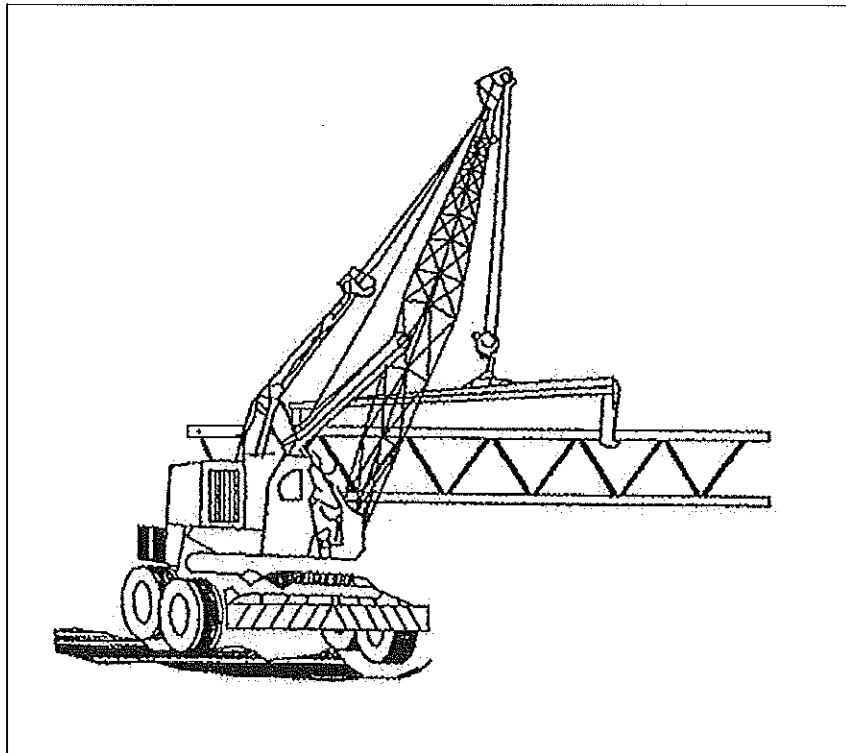
Always set truss bundles on stickers placed at the truss pin locations. Never store trusses flat or set trusses directly on the ground or in contact with standing water.



Workers should use caution when cutting the bands on bundles to avoid possible injury from flying bands or toppling trusses.

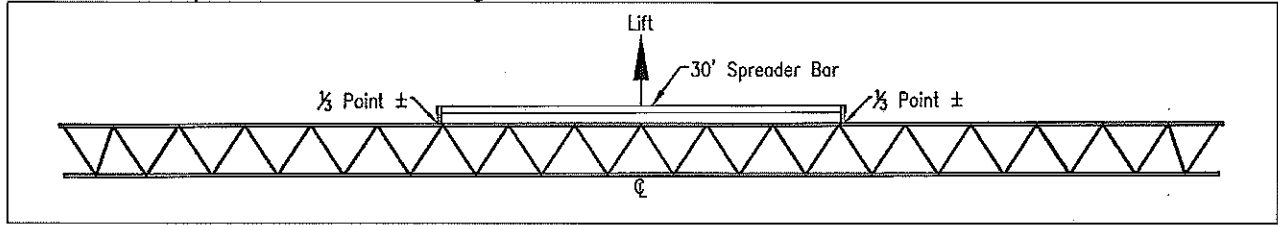


When installing a single truss (or pair of trusses), use a lift boom or crane with spreader bar (30 Ft. Min.) to lift member(s) into place and secure truss (or pair of trusses) before removing spreader bar. Do not recommend using forklift.

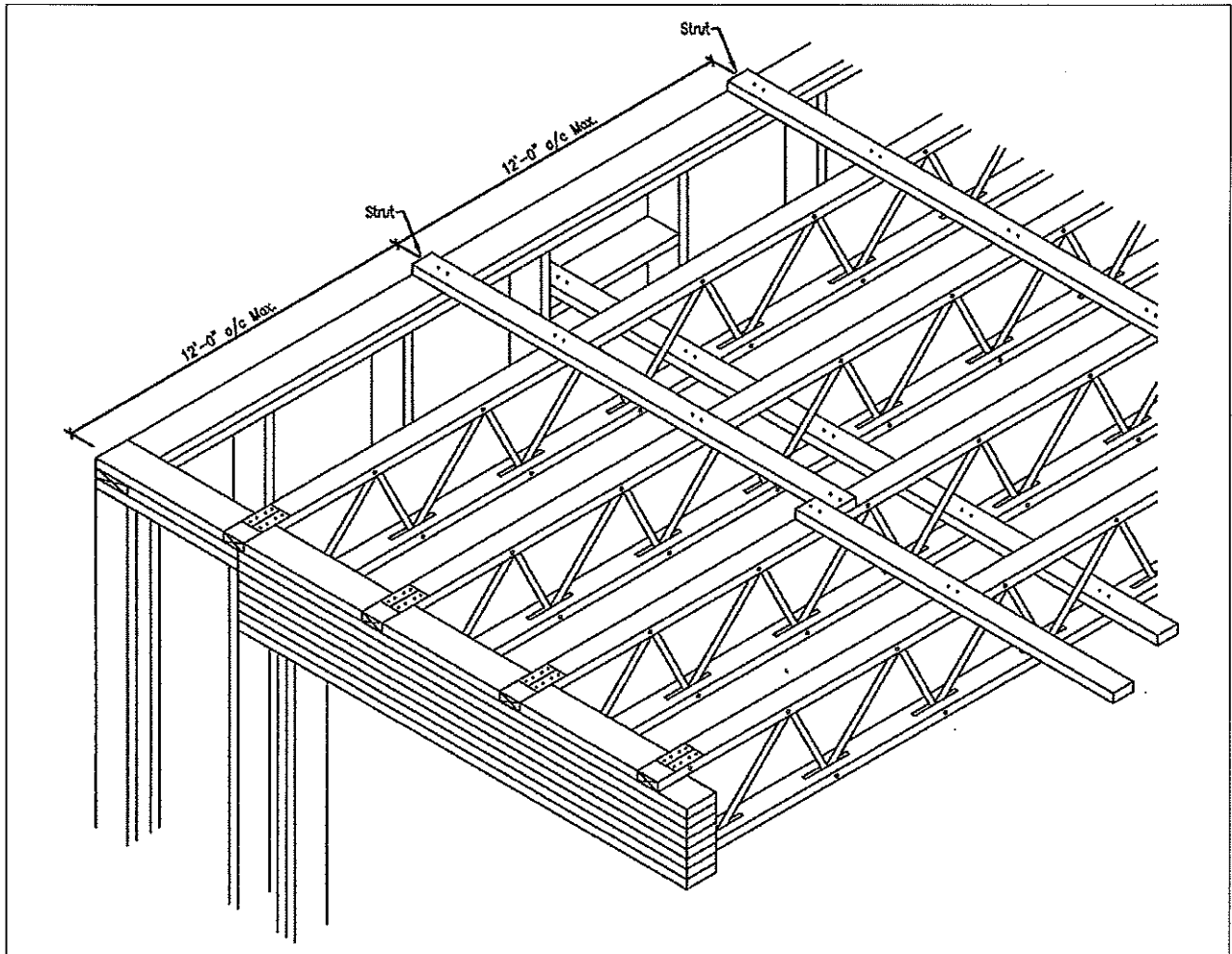


Keep truss in upright position when lifting and placing.

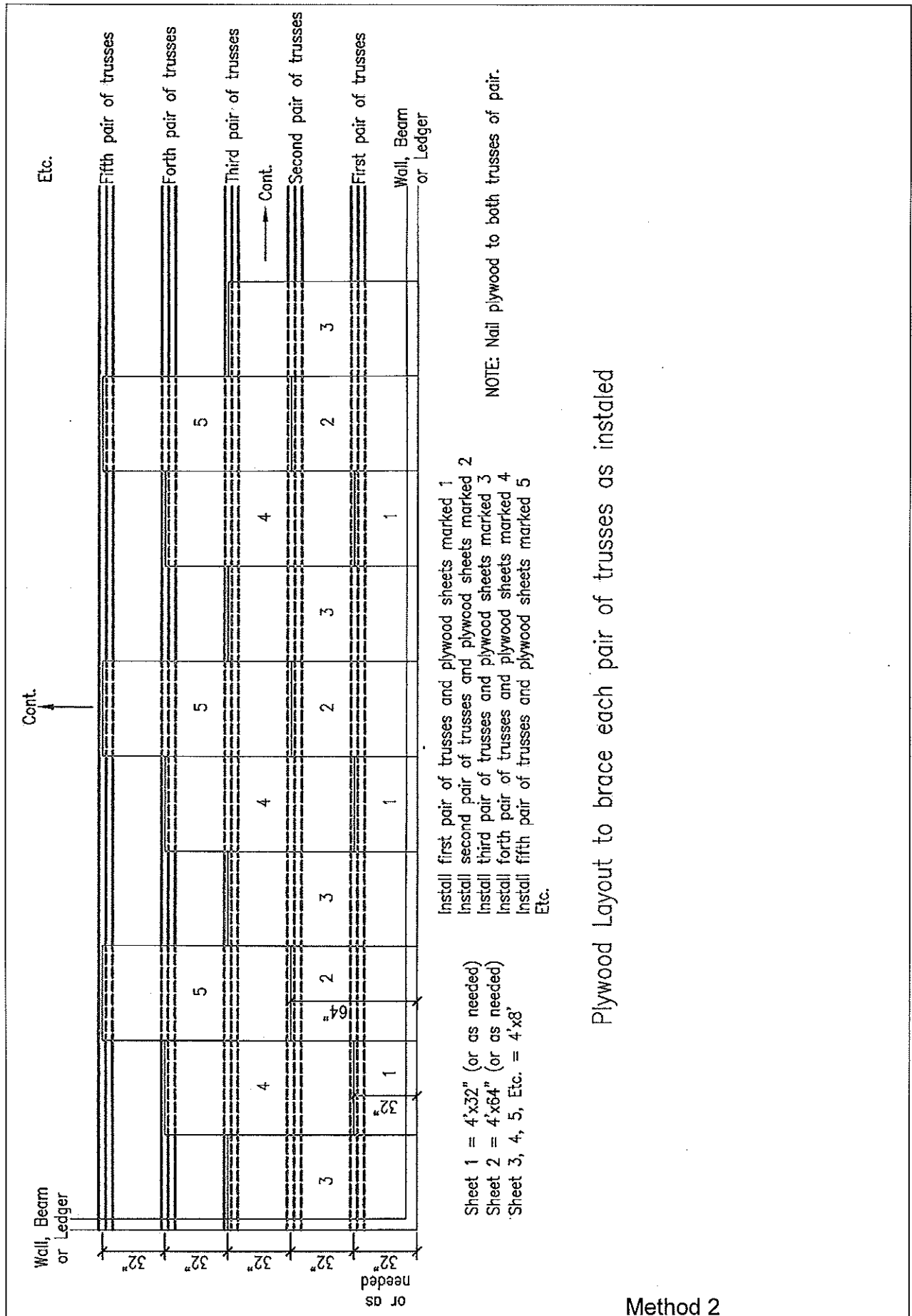
Truss with spreader bar for lifting



As each truss (or pair of trusses) are lifted into place, secure bearings with nails required. Stabilize top chord by method 1 or 2 below and install bridging. After truss is horizontally stable, remove spreader bar.



Method 1 – Attach struts as each truss is placed.



Sheet 1 = 4'x32" (or as needed)
 Sheet 2 = 4'x64" (or as needed)
 Sheet 3, 4, 5, Etc. = 4'x8'

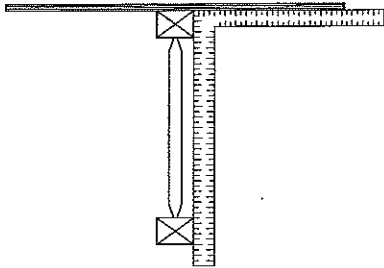
Install first pair of trusses and plywood sheets marked 1
 Install second pair of trusses and plywood sheets marked 2
 Install third pair of trusses and plywood sheets marked 3
 Install fourth pair of trusses and plywood sheets marked 4
 Install fifth pair of trusses and plywood sheets marked 5
 Etc.

NOTE: Nail plywood to both trusses of pair.

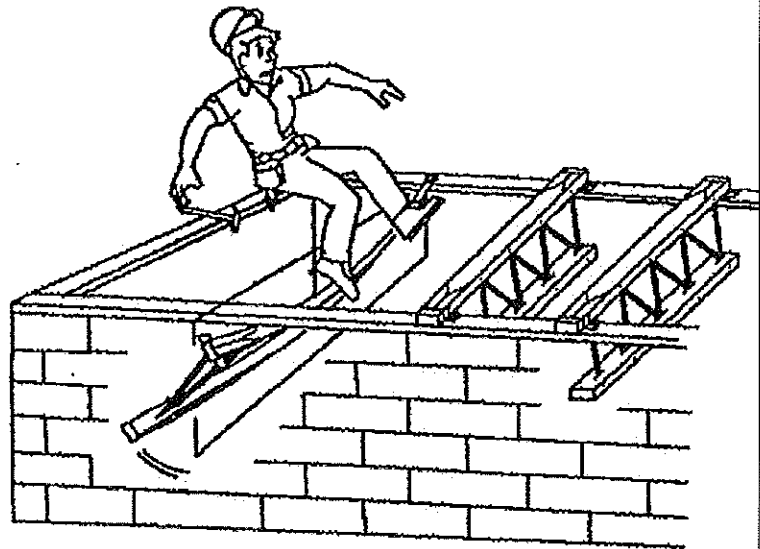
Plywood Layout to brace each pair of trusses as installed

Install trusses vertically and do not allow workers on the trusses until all truss bearings and bracing have been attached.

Vertical Alignment Tolerance

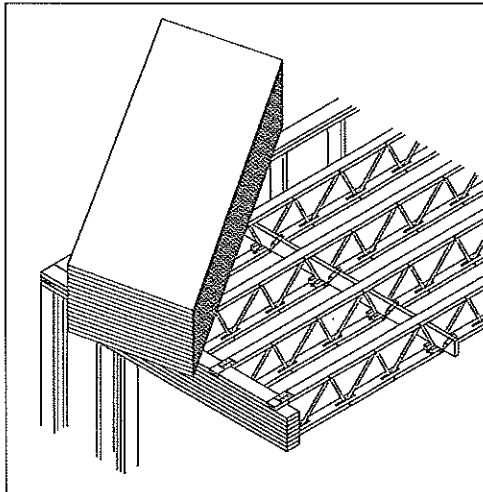


Bottom chord should not be out of square with deck by more than 1/4" per foot of truss depth.

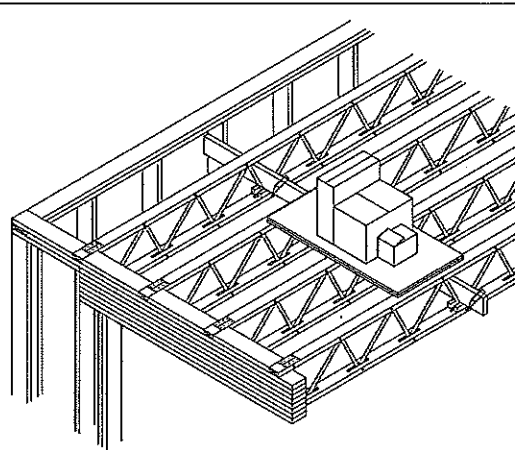


Warning

Do not stack material on trusses during truss installation.



O.K.



Not O.K.

WARNING

Without correctly installed erection bracing as shown above, trusses can bow and roll over causing death or serious personal injury and property damage.

NOTICE

Erection bracing and procedures, as well as the safety of workers, are the responsibility of the erector. The erector should make sure that this installation information is understood by all persons involved in the truss installation.