



Most Widely Accepted and Trusted

ICC-ES Report

ICC-ES | (800) 423-6587 | (562) 699-0543 | www.icc-es.org

ESR-2504

Reissued 05/2017
This report is subject to renewal 05/2018.

DIVISION: 06 00 00—WOOD, PLASTICS AND COMPOSITES
SECTION: 06 17 00—SHOP-FABRICATED STRUCTURAL WOOD

REPORT HOLDER:

SWEET’S JOISTS, INC.

**118 BOROVEC ROAD
CHEHALIS, WASHINGTON 98532-8714**

EVALUATION SUBJECT:

WEB JOIST™ TRUSSES



Look for the trusted marks of Conformity!

“2014 Recipient of Prestigious Western States Seismic Policy Council (WSSPC) Award in Excellence”



A Subsidiary of  **INTERNATIONAL CODE COUNCIL™**

ICC-ES Evaluation Reports are not to be construed as representing aesthetics or any other attributes not specifically addressed, nor are they to be construed as an endorsement of the subject of the report or a recommendation for its use. There is no warranty by ICC Evaluation Service, LLC, express or implied, as to any finding or other matter in this report, or as to any product covered by the report.



ICC-ES Evaluation Report

ESR-2504

Reissued May 2017

This report is subject to renewal May 2018.

www.icc-es.org | (800) 423-6587 | (562) 699-0543

A Subsidiary of the International Code Council®

DIVISION: 06 00 00—WOOD, PLASTICS, AND COMPOSITES
Section: 06 17 00—Shop-Fabricated Structural Wood

REPORT HOLDER:

SWEET'S JOISTS, INC.
118 BOROVEC ROAD
CHEHALIS, WASHINGTON 98532-8714
(360) 748-9376

www.webjoist.com
Bruce@Webjoist.com

ADDITIONAL LISTEE:

WEB JOIST NORTHWEST CORP.
118 BOROVEC ROAD
CHEHALIS, WASHINGTON 98532
(360) 748-1173

EVALUATION SUBJECT:

WEB JOIST™ TRUSSES

1.0 EVALUATION SCOPE

1.1 Compliance with the following codes:

- 2012 and 2009 *International Building Code*® (IBC)
- 2012 and 2009 *International Residential Code*® (IRC)
- 2013 *Abu Dhabi International Building Code* (ADIBC)†

†The ADIBC is based on the 2009 IBC. 2009 IBC code sections referenced in this report are the same sections in the ADIBC.

Properties evaluated:

- Structural
- Fire resistance

1.2 Evaluation to the following green code(s) and/or standards:

- 2016 California Green Building Standards Code (CALGreen), Title 24, Part 11
- 2015, 2012 and 2008 ICC 700 *National Green Building Standard*™ (ICC 700-2015, ICC 700-2012 and ICC 700-2008)

Attributes verified:

- See Section 3.1

2.0 USES

The Web Joist trusses described in this report are used as structural framing members in floor and roof assemblies.

3.0 DESCRIPTION

3.1 General:

The Web Joist trusses are Warren-style, pin-connected trusses that have either parallel, tapered, or pitched-chord members. The trusses have wood chords, steel webs, and steel pin web-to-chord connectors. There are two versions of the trusses: Version 1 Truss and Version 2 Truss. See Table 1 and Figure 1 for a description of truss components.

The attributes of the wood joists have been verified as conforming to the provisions of (i) CALGreen Sections A4.404.3 for efficient framing techniques; (ii) ICC 700-2015 Section 608.1(b), 11.608.1(b) and 12.1(A).608.1(b) for resource-efficient materials; (iii) ICC 700-2012 Section 608.1(2), 11.608.1(2) and 12.1(A).608.1 for resource-efficient materials; and (iv) ICC 700-2008 Section 607.1(2) for resource-efficient materials. Note that decisions on compliance for those areas rest with the user of this report. The user is advised of the project-specific provisions that may be contingent upon meeting specific conditions, and the verification of those conditions is outside the scope of this report. These codes or standards often provide supplemental information as guidance.

3.1.1 Version 1 Truss: Eight Version 1 trusses are recognized: WJSS, WJ21, WJ24, WJ27, WJ28 WJ21W, WJ24W and WJ28W. The chords are 1½-by-3½-inch (38 by 89 mm) or 1½-by-5½-inch (38 by 140 mm) solid-sawn lumber. The webs are either steel tubing or steel angles.

3.1.2 Version 2 Truss: One Version 2 truss is recognized: WJ-L6. The chords are 2½-by-3½-inch (63.5 by 89 mm) LAM-CHORD. The webs are either steel tubing or steel angles.

3.2 Materials:

3.2.1 Chords: Chords consist of either solid-sawn lumber or LAM-CHORD. The chords have glued finger joints, which are manufactured and tested daily in accordance with the manufacturer's quality control manual, to form continuous chord members. Chords have routs in the wide face to accept web members, and the routs comply with tolerance limits specified in the manufacturer's quality control manual.

3.2.1.1 Solid-sawn Lumber: Lumber grade is either machine-stress-rated (MSR) or Select Structural. The MSR lumber species is either Douglas fir–larch, hem-fir, spruce-pine-fir, or Englemann spruce–lodgepole pine, or lodgepole pine. Lumber grades comply with the grading rules specified in Tables 4A and 4C of the American Forest & Paper Association (AF&PA) National Design Specification (NDS) Supplement and the manufacturer's

quality control manual. The wood species of the Select Structural lumber is Douglas fir–larch.

3.2.1.2 LAM-CHORD: LAM-CHORD is a manufactured laminated lumber complying with ANSI A 190.1, and each piece of ripped LAM-CHORD material conforms with visual grading rules specified in the manufacturer's quality control manual. Lumber species is either Douglas fir or hem-fir.

3.2.2 Webs: The steel tubing truss webs are formed from welded, galvanized, round steel tubing conforming to ASTM A500, Grade B, with minimum yield and tensile strengths as specified in the manufacturer's quality control manual. The tubing is galvanized with a minimum G60 galvanization coating weight in accordance with ASTM A787. The steel angle truss webs are cold-formed from galvanized steel coil conforming to ASTM A653 SS Grade 33, with a minimum G60 galvanization coating weight and minimum yield and tensile strengths as specified in the manufacturer's quality control manual.

3.2.3 Pin Connectors: The pins are 3¹/₂- or 5¹/₂-inch-long (89 mm or 140 mm), solid steel pins, having either ³/₈-, ¹/₂-, ⁵/₈-, or ³/₄-inch (9.5, 12.7, 15.9 or 19.1 mm) diameters. The ³/₈- and ¹/₂-inch-diameter (9.5 and 12.7 mm) pins are ASTM A449 steel with heat treatment; the ⁵/₈- and ³/₄-inch-diameter (15.9 and 19.1 mm) pins are ASTM A307 steel.

3.2.4 Bearing Clips: Steel bearing clips are No. 13 gage [0.089-inch-thick (2.3 mm)], cold-formed ASTM A1011, SS designation, Grade 40; or ASTM A653, SS designation, Grade 40.

4.0 DESIGN AND INSTALLATION

4.1 Installation:

Installation of the Web Joist trusses described in this report must comply with the applicable code requirements, this report and the manufacturer's published installation instructions. The manufacturer's published installation instructions must be available at the jobsite at all times during installation.

4.2 Design:

4.2.1 General: The trusses must be designed using accepted truss design principles and this report.

4.2.2 Chord Members: Table 2 provides section properties and Table 3 provides allowable unit stresses for the truss chord members.

4.2.3 Web Members: Table 5 provides allowable tension and compression loads for truss web members.

4.2.4 Pin Connectors: Table 4 provides allowable loads for pin connectors bearing on wood. The allowable load for the resultant of parallel and perpendicular pin loading on the chord member must be determined using Equation 11.3-11 in Section 11.3.3 of the NDS.

4.2.5 Bearing Assembly: Table 6 provides allowable reactions at supports with bearing clips. See Figure 2.

4.2.6 Duration of Load: Allowable unit stress of chord members may be adjusted for duration of load in accordance with Section 2.3.2 of the NDS. Allowable parallel-to-grain wood bearing loads on pins (Table 4) may be adjusted for duration of load in accordance with Section 2.3.2 of the NDS, up to a maximum load duration factor, C_D, of 1.33. No other design values for the web joist trusses are to be increased for duration of load.

4.2.7 Repetitive Member Use: When trusses comply with code-defined repetitive member use according to Section 4.3.9 of the NDS, the allowable parallel-to-grain tension and compression stresses noted in Table 3 may be increased 7 percent for MSR and LAM-CHORD lumber chords.

4.2.8 Deflection: Deflection of a uniformly loaded truss is approximated with the classic, uniformly loaded, simple-span beam-deflection formula. The moment of inertia of the truss consists of only the top and bottom chord members, without considering reduced areas from pins or routs.

4.3 One-hour Fire-resistance-rated Roof and Floor-ceiling Assemblies:

Web Joist trusses used in one-hour fire-resistance-rated roof and floor-ceiling assemblies must be installed in accordance with Section 4.2.2.4 of [ESR-1338](#), or IBC Table 720.1(3) Item No. 21-1.1.

5.0 CONDITIONS OF USE

The Web Joist trusses described in this report comply with, or are suitable alternatives to what is specified in, those codes listed in Section 1.0 of this report, subject to the following conditions:

5.1 Installation complies with this report, the manufacturer's published installation instructions and the applicable code. In the event of conflicts between the manufacturer's published installation instructions and this report, this report governs.

5.2 Structural design information for the use of the trusses must be indicated on the construction documents submitted with the permit application. The construction documents and the design configurations must be consistent with this report, and must be prepared by a registered design professional where required by the statutes of the jurisdiction in which the project is to be constructed.

5.3 Cutting of the chords of the trusses is not permitted.

5.4 Evaluation of the trusses is limited to interior dry-use conditions. Dry conditions of use are those conditions of use represented by moisture content that is less than 19 percent in the sawn lumber truss chords.

5.5 The trusses are manufactured by Web Joist Northwest Corp. in Chehalis, Washington, under a quality-control program with inspections by ICC-ES and PFS Corporation (AA-652).

6.0 EVIDENCE SUBMITTED

Data in accordance with the ICC-ES Acceptance Criteria for Pin-connected Open-web Trusses with Wood Chords and Tubular or Angular Steel Webs (AC306), dated February 2011 (editorially revised September 2014).

7.0 IDENTIFICATION

Each Web Joist truss bears a stamped identification label with the product name (Web Joist Truss), manufacturer's name (Web Joist Northwest Corp.), manufacturer's city and state, the evaluation report number (ESR-2504), and the name of the inspection agency (PFS Corporation). In addition, the chords of the trusses are labeled with the applicable lumber grade stamp.

TABLE 1—COMPONENTS OF WEB JOIST VERSION 1 AND VERSION 2 TRUSSES

| Component | | Version 1 Truss | | | | | | | | Version 2 Truss WJ-L6 |
|--------------------------|-----------------------------|-----------------|------|------|------|------|-------|-------|-------|-----------------------|
| | | WJSS | WJ21 | WJ24 | WJ27 | WJ28 | WJ21W | WJ24W | WJ28W | |
| Chords | Sel. Str. DF 1.5"x3.5" | YES | --- | --- | --- | --- | --- | --- | --- | --- |
| | MSR 2100f-1.8E | YES | YES | YES | YES | YES | --- | --- | --- | --- |
| | 1.5"x3.5"MSR 2400f-2.0E | --- | --- | YES | YES | YES | --- | --- | --- | --- |
| | 1.5"x3.5" | --- | --- | --- | YES | YES | --- | --- | --- | --- |
| | MSR 2700f-2.2E 1.5"x3.5" | --- | --- | --- | --- | YES | --- | --- | --- | --- |
| | MSR 2850f-2.3E 1.5"x3.5" | --- | --- | --- | --- | --- | YES | YES | YES | --- |
| | MSR 2100f-1.8E 1.5"x5.5" | --- | --- | --- | --- | --- | --- | YES | YES | --- |
| | MSR 2400f-2.0E 1.5"x5.5" | --- | --- | --- | --- | --- | --- | --- | YES | --- |
| MSR 2850f-2.3E 1.5"x5.5" | --- | --- | --- | --- | --- | --- | --- | --- | YES | |
| LAM-CHORD 2.5"x3.5" | --- | --- | --- | --- | --- | --- | --- | --- | --- | YES |
| Pins | 3/8" Diameter x 3 1/2" Long | YES | YES | YES | YES | YES | --- | --- | --- | --- |
| | 3/8" Diameter x 5 1/2" Long | --- | --- | --- | --- | --- | YES | YES | YES | --- |
| | 1/2" Diameter x 3 1/2" Long | --- | --- | --- | --- | --- | --- | --- | --- | YES |
| | 1/2" Diameter x 5 1/2" Long | YES | YES | YES | YES | YES | --- | --- | --- | --- |
| | 5/8" Diameter x 3 1/2" Long | --- | --- | --- | --- | --- | YES | YES | YES | --- |
| | 5/8" Diameter x 5 1/2" Long | --- | --- | --- | --- | --- | --- | --- | --- | YES |
| Webs (Tubing) | 1.000" O.D. - 19 Ga. | YES | YES | YES | YES | YES | YES | YES | YES | YES |
| | 1.000" O.D. - 18 Ga. | YES | YES | YES | YES | YES | YES | YES | YES | YES |
| | 1.000" O.D. - 16 Ga. | YES | YES | YES | YES | YES | YES | YES | YES | --- |
| | 1.000" O.D. - 14 Ga. | YES | YES | YES | YES | YES | YES | YES | YES | --- |
| | 1.125" O.D. - 16 Ga. | YES | YES | YES | YES | YES | YES | YES | YES | --- |
| | 1.125" O.D. - 13 Ga. | YES | YES | YES | YES | YES | YES | YES | YES | --- |
| | 1.250" O.D. - 19 Ga. | --- | --- | --- | --- | --- | --- | --- | --- | YES |
| | 1.250" O.D. - 18 Ga. | --- | --- | --- | --- | --- | --- | --- | --- | YES |
| | 1.250" O.D. - 16 Ga. | --- | --- | --- | --- | --- | --- | --- | --- | YES |
| | 1.250" O.D. - 14 Ga. | --- | --- | --- | --- | --- | --- | --- | --- | YES |
| | 1.500" O.D. - 16 Ga. | --- | --- | --- | --- | --- | --- | --- | --- | YES |
| | 1.500" O.D. - 14 Ga. | --- | --- | --- | --- | --- | --- | --- | --- | YES |
| | 1.500" O.D. - 13 Ga. | --- | --- | --- | --- | --- | --- | --- | --- | YES |
| Webs (2-Angles) | 0.75" x 0.75" x 0.10" | YES | YES | YES | YES | YES | YES | YES | YES | --- |
| | 1.125" x 1.125" x 0.10" | --- | --- | --- | --- | --- | --- | --- | --- | YES |
| Bearing Clips | Angle Clip (A1) | YES | YES | YES | YES | YES | YES | YES | YES | --- |
| | Angle Clip (A2) | --- | --- | --- | --- | --- | --- | --- | --- | YES |

For SI: 1 in. = 25.4 mm.

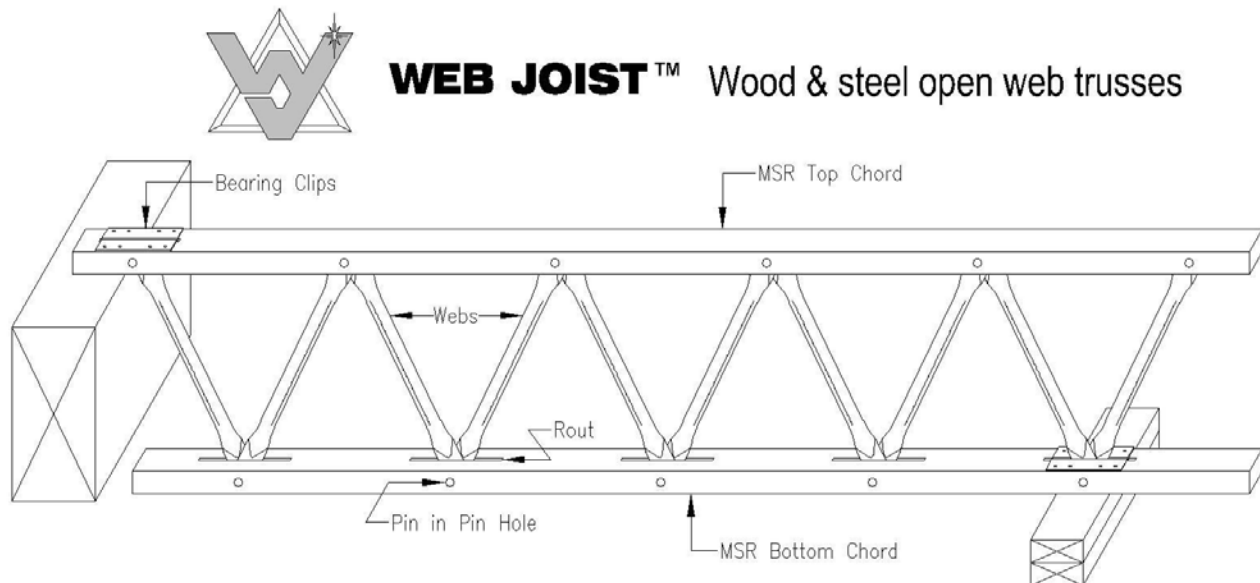


FIGURE 1—TRUSS COMPONENTS

TABLE 2—CHORD SECTION PROPERTIES¹

| Version | Chord Size (inches) | Pin Dia. (inches) | Rout Width (inches) | Areas (inches ²) | | Section Modulus (inches ³) |
|---------------|---------------------|-------------------|---------------------|------------------------------|-------------|--|
| | | | | Tension | Compression | |
| Ver. 1 2x4 | Depth = 1.5 | no pin | no rout | 5.25 | 5.25 | 1.31 |
| | by | 0.375 | 0.219 | 3.69 | 4.92 | 1.21 |
| | Width = 3.5 | 0.625 | 0.375 | 2.73 | 4.69 | 1.09 |
| Ver. 1 2x6 | Depth = 1.5 | no pin | no rout | 8.25 | 8.25 | 2.06 |
| | by | 0.375 | 0.219 | 5.94 | 7.92 | 1.95 |
| | Width = 5.5 | 0.625 | 0.375 | 4.48 | 7.69 | 1.78 |
| Ver. 2 3x4 | Depth = 2.5 | no pin | no rout | 8.75 | 8.75 | 3.65 |
| | by | 0.500 | 0.313 | 6.38 | 7.97 | 3.29 |
| | Width = 3.5 | 0.750 | 0.438 | 5.36 | 7.66 | 3.10 |

For SI: 1 in = 25.4 mm, 1 in² = 645.16 mm², 1 in³ = 16387 mm³.

¹The section modulus is about the neutral axis of the chord member and is used for combined stress analysis of the chord member when chord supports uniform load between panel points.

TABLE 3—ALLOWABLE CHORD UNIT STRESS IN POUNDS PER SQUARE INCH¹

| Version | Lumber Grade ² | Tension Parallel to Grain (F _t) | Compression Parallel to Grain (F _c) | Extreme Fiber In Bending (F _b) | Modulus of Elasticity (E x 10 ⁶) |
|---------|-----------------------------|---|---|--|--|
| Ver. 1 | Sel. Str. DF ³ | 1,500 ⁴ | 1,955 ⁴ | 2,175 ^{4,5} | 1.90 |
| | MSR 2100f-1.8E ³ | 1,575 | 1,875 | 2,100 ⁵ | 1.80 |
| | MSR 2400f-2.0E | 1,925 | 1,975 | 2,400 ⁵ | 2.00 |
| | MSR 2700f-2.2E | 2,150 | 2,100 | 2,700 ⁵ | 2.20 |
| | MSR 2850f-2.3E | 2,300 | 2,150 | 2,850 ⁵ | 2.30 |
| Ver. 2 | LAM-CHORD | 2,050 | 1,975 | 2,400 ⁶ | 2.10 |

For SI: 1 psi = 6.895 kPa.

¹Other allowable working stresses for solid sawn chords are provided in Tables 4A and 4C of the NDS.

²Lumber grades are indicated by grade stamps on the chord members.

³The Select Structural Douglas fir-Larch and MSR 2100f-1.8E chord grades are available only for 2x4 chords.

⁴The F_t, F_c and F_b values given for 2x4 Select Structural Douglas fir-Larch chord members have already been adjusted by the Size Factor, C_F.

⁵F_b may be increased 10 percent for flatwise use.

⁶F_b may be increased 10 percent for laminating factor.

TABLE 4—ALLOWABLE WOOD BEARING LOADS ON PINS IN POUNDS^{1,2,3,4}

| Angle of Load to Grain of Chord | Version 1 Truss ⁵ | | Version 2 Truss ⁶ | |
|---------------------------------|-----------------------------------|-----------------------------------|-----------------------------------|-----------------------------------|
| | ³ / ₈ " Pin | ⁵ / ₈ " Pin | ¹ / ₂ " Pin | ³ / ₄ " Pin |
| Parallel | 1,320 | 2,540 | 2,545 | 3,665 |
| Perpendicular | 800 | 900 | 1,445 | 1,730 |

For SI: 1 in = 25.4 mm, 1 lbf = 4.448 N.

¹Parallel: Adjustments for duration of load per Section 2.3.2 of NDS are applicable, up to a maximum load duration factor, C_D, of 1.33.

²Perpendicular: Adjustments for duration of load are not applicable.

³The pins are subjected to loads both parallel and perpendicular to the length of the chord. The allowable load for the resultant of these two forces acting on the pin may be determined from the Hankinson formula based on the controls in this section.

⁴The minimum end distance between the pin and end of the chord shall be 1.75 inches for Version 1 truss and 2.25 inches for Version 2 truss for a pin force acting away from the end of the chord and 6 inches for a pin force acting toward the end of the chord.

⁵Values are for Douglas fir-larch (DF-L), hem-fir (HF), southern pine (SP), spruce-pine-fir (SPF), Englemann spruce/lodgepole pine (ES/LP), or lodgepole pine (LP).

⁶Values are for hem-fir and may be increased 10 percent for Douglas fir-larch.

TABLE 5—ALLOWABLE WEB MEMBER LOADS IN POUNDS^{1,2}

| Diameter(inches) - Gauge No. (Ga. color or No.) | Wall Thickness (inches) | Load Condition | Version 1 Truss WJSS, WJ21, WJ24, WJ27, WJ28, WJ21W, WJ24W and WJ28W | | Version 2 Truss WJ-L6 | |
|---|--------------------------------|------------------------|---|-----------------------------------|-----------------------------------|-----------------------------------|
| | | | ³ / ₈ " Pin | ⁵ / ₈ " Pin | ¹ / ₂ " Pin | ³ / ₄ " Pin |
| 1.000-19 (Blue or None) | 0.042 | Tension Compression | 1,290 1290@≤38.6" | 1,530 1530@≤34.1" | 1,632 1683@≤31.1" | — — |
| 1.000-18 (Black or 8) | 0.049 | Tension Compression | 1,505 1505@≤38.3" | 1,785 1785@≤33.9" | 2,040 2147@≤28.3" | — — |
| 1.000-16 (Red or 6) | 0.065 | Tension Compression | — — | 2,365 3315@≤22.1" | — — | — — |
| 1.000-14 (Green or 4) | 0.083 | Tension Compression | — — | 3,025 4235@≤21.6" | — — | — — |
| 1.125-16 (Red or 6) | 0.065 | Tension Compression | — — | 2,365 3315@≤30.3" | — — | — — |
| 1.125-13 (Yellow or 3) | 0.095 | Tension Compression | — — | 3,717 6036@≤19.0" | — — | — — |
| 2 Angles 0.75"x0.75" | 0.100 | Tension Compression | — — | 3,360 1220@≤20.0" | — — | — — |
| 1.250-19 (Blue or None) | 0.042 | Tension Compression | — — | — — | 1,632 1683@≤47.6" | 1,960 2011@≤41.5" |
| 1.250-18 (Black or 8) | 0.049 | Tension Compression | — — | — — | 2,094 2147@≤44.4" | 2,476 2546@≤38.2" |
| 1.250-16 (Red or 6) | 0.065 | Tension Compression | — — | — — | 2,995 2999@≤42.0" | 3,669 3983@≤30.6" |
| 1.250-14 (Green or 4) | 0.083 | Tension Compression | — — | — — | — — | 4,648 5957@≤21.6" |
| 1.500-16 (Red or 6) | 0.065 | Tension Compression | — — | — — | — — | 3,861 3983@≤46.8" |
| 1.500-14 (Green or 4) | 0.083 | Tension Compression | — — | — — | — — | 5,275 5957@≤38.7" |
| 1.500-13 (Yellow or 3) | 0.095 | Tension Compression | — — | — — | — — | 5,970 7243@≤34.6" |
| 2 Angles 1.125"x1.125" | 0.100 | Tension Compression | — — | — — | — — | 5,856 2826@≤20.0" |

For SI: 1 in = 25.4 mm, 1 lbf = 4.448 N.

¹The allowable loads are axial loads only.

²For compression members with pin-to-pin lengths greater than shown, the allowable axial load must be reduced for slenderness effects (KL/r) by calculation in accordance with Section C4 of the AISI S100-07, using a specified minimum yield strength, F_y , of 42 ksi.

TABLE 6—ALLOWABLE REACTIONS IN POUNDS^{1,2,3,4,5}

| Version | Distance b (inches) | Distance a (inches) | | | | | |
|------------|------------------------|----------------------------------|-------|-------|-------------------------------|-------|-------|
| | | Sel. Str. DF-L and 2100f-1.8E | | | 2400f-2.0E through 2850f-2.3E | | |
| | | 2.50 | 3.00 | 3.5+ | 2.50 | 3.00 | 3.5+ |
| 1 Truss | 0.50 | 2,500 | 2,700 | 2,700 | 2,700 | 2,700 | 2,900 |
| | 0.75 | 2,100 | 2,100 | 2,600 | 2,200 | 2,500 | 2,900 |
| | 1.00 | 1,800 | 1,800 | 1,900 | 2,000 | 2,000 | 2,000 |
| | 1.25 | 1,600 | 1,700 | 1,700 | 1,900 | 1,900 | 1,900 |
| Version | Distance b (inches) | Distance a (inches) LAM-CHORD | | | | | |
| | | 3.50 | 4.25 | 5.0+ | | | |
| | | 2 Truss | 0.75 | 3,180 | 3,615 | 4,280 | |
| 1.00 | 3,070 | | 3,215 | 3,810 | | | |
| 1.25 | 2,670 | | 3,050 | 3,215 | | | |
| 1.50 | 2,450 | | 2,655 | 2,900 | | | |

For SI: 1 in = 25.4 mm, 1 lbf = 4.448 N.

¹Distance a: The distance from the centerline of the pin in the bearing assembly to the end of the chord.

²Distance b: The distance from the centerline of the pin in the bearing assembly to the nearest edge of the bearing surface.

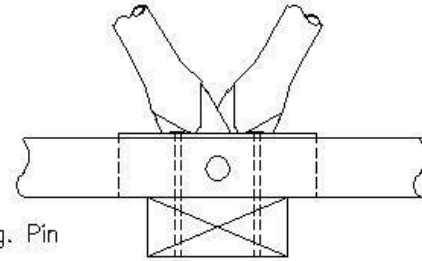
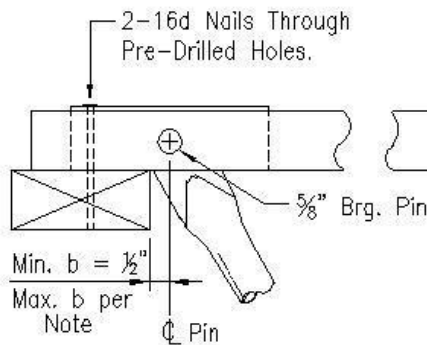
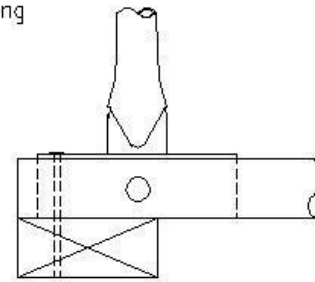
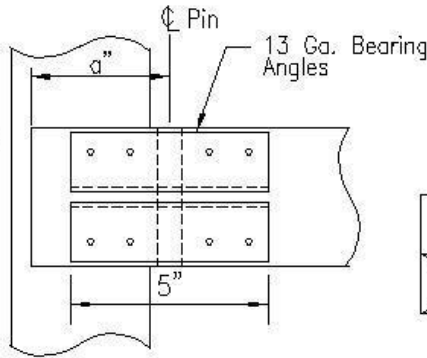
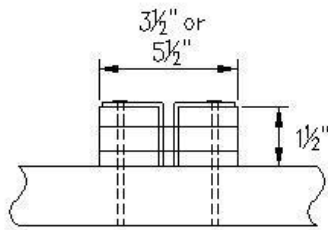
³The maximum reaction shall not exceed the allowable compression perpendicular to grain value of the grade and species of the support wood multiplied by a factor 1.07 and the contact area based on an effective width equal to the chord width. This value may not be increased for duration of loading.

⁴The maximum reaction shall not exceed the allowable compression perpendicular to grain value of the chord multiplied by the contact area based on an effective width equal to the chord width. This value may not be increased for duration of loading.

⁵The maximum allowable reactions tabulated may not be increased for duration of loading.

NOTE:

A red line is applied to the bottom face of the chord at the maximum distance the bearing pin can be off the bearing surface ($\frac{1}{2}$ " to $\frac{1}{4}$ " determined by reaction). This red line must not be visible when trusses are installed.



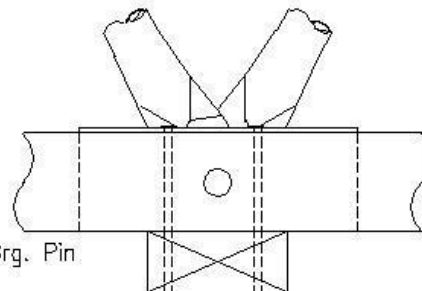
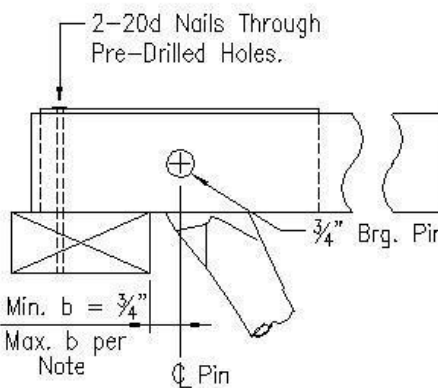
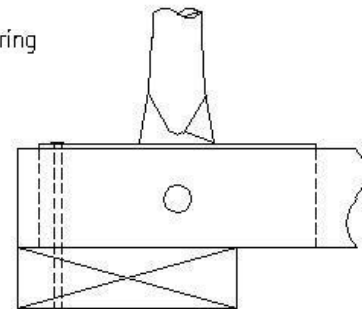
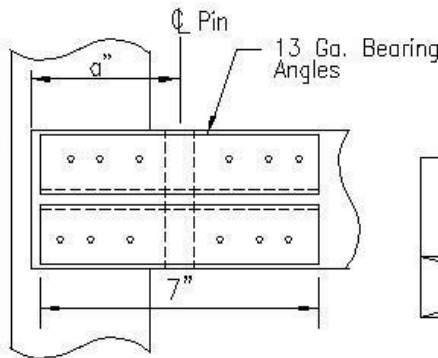
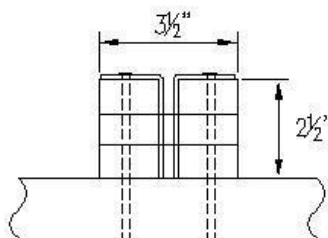
Top Bearing

Bottom Bearing

VERSION 1 TRUSS

NOTE:

A red line is applied to the bottom face of the chord at the maximum distance the bearing pin can be off the bearing surface ($\frac{3}{4}$ " to $\frac{1}{2}$ " determined by reaction). This red line must not be visible when trusses are installed.



Top Bearing

Bottom Bearing

VERSION 2 TRUSS

For SI: 1 in = 25.4 mm.

FIGURE 2—BEARING DETAILS FOR TRUSSES